

Accessories



ACCESSORIES

Accessories to suit every sensor!

Whether it's electrical connectors, mechanical adapters or the instrument mounting clamps, the wide range of products from HYDAC offers solutions for all applications.

Saving time on installation and commissioning.

<u>Electrical Accessories</u>	<u>Page</u>
- for electrical connection type "4" (Binder, Series 714 M18)	383
- for electrical connection type "5" (EN175301-803 (DIN 43650) / ISO 4400)	383
- for electrical connection type "6" (M12x1, 4 pole)	384
- for electrical connection type "7" (DIN 43561)	385
- for electrical connection type "8" (M12x1, 5 pole)	385
- for electrical connection type "P" (M12x1, 8 pole)	387
<u>Mechanical Accessories</u>	<u>389</u>
- Connection adapters for pressure sensors	389
- Mounting accessories for EDS 8000, HDA 8000, EDS 810	392
- Mounting accessories for EDS 3000, ETS 3000, AS 3000, ENS 3000, HNS 3000	393
- Mounting accessories for EDS 300, ETS 300	394
- Mounting accessories for EDS 1700, ETS 1700	395
- Mounting accessories for EDS 601	395
- Tank mounting sleeve for ETS 3000	396
- Connection blocks for ENS 3000	396
- Connection blocks for HLB 1300	397
- Connection blocks for AS 1000, AS 3000	397
<u>Accessories for distance and position sensors</u>	<u>399</u>
- Magnets for HLT 1000, HLT 2000, HNT 1000	399
- Electrical accessories HLT 2000	401
<u>Accessories for Service Instruments</u>	<u>403</u>
- Accessories for HMG 30X0	403
- Accessories for HMG 500/510	405

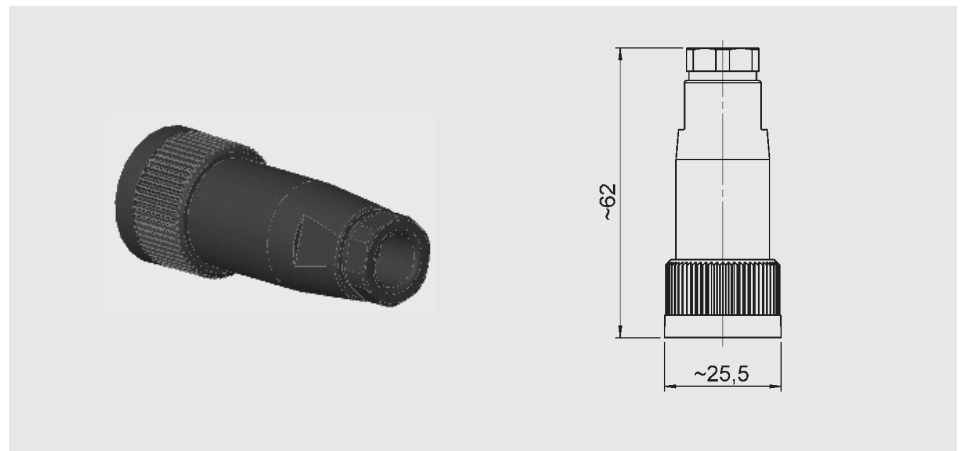
Electrical Accessories

Female Connectors for Sensors

ZBE 02

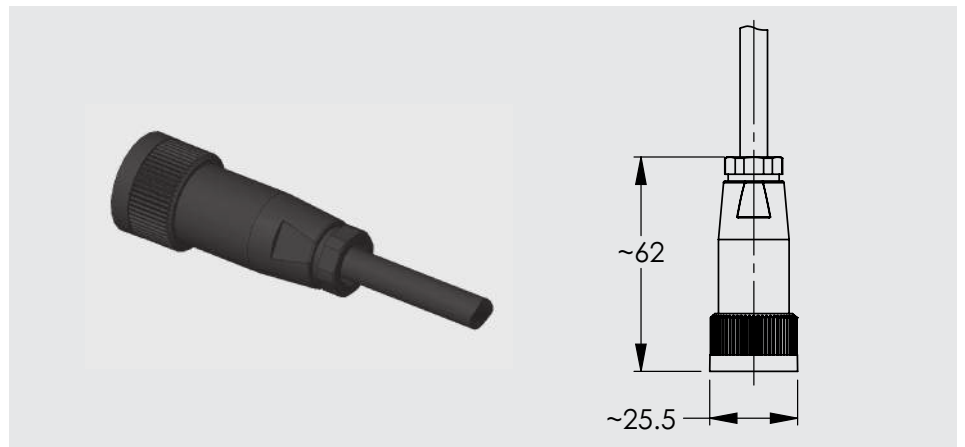
Female connector
Binder Series 714 M18
4 pole, straight
Cable diameter: 6.5 .. 8 mm
Part No.: 609479

With electrical connection type "4":
(Male Binder series 714 M18)



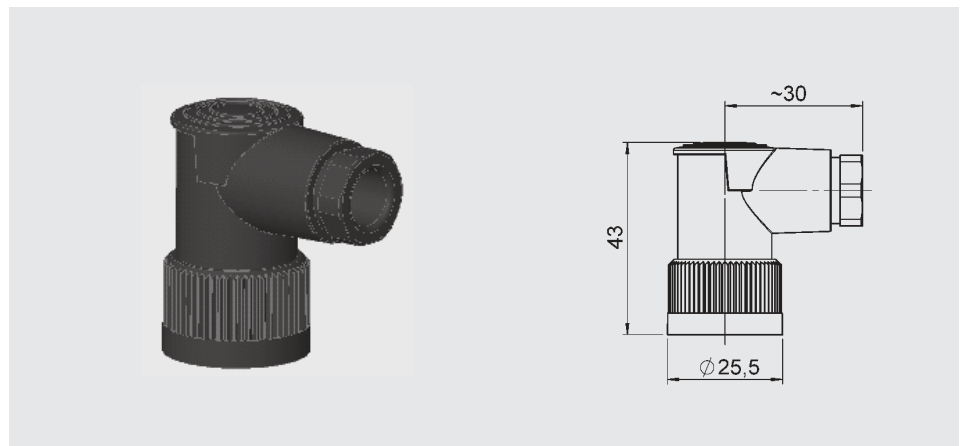
Female connector M18
4 pole, straight
with 5 m cable
Part No.: 2072888

Female connector M18
4 pole, straight
with 5 m cable
Part No.: 2082471
(Modified)



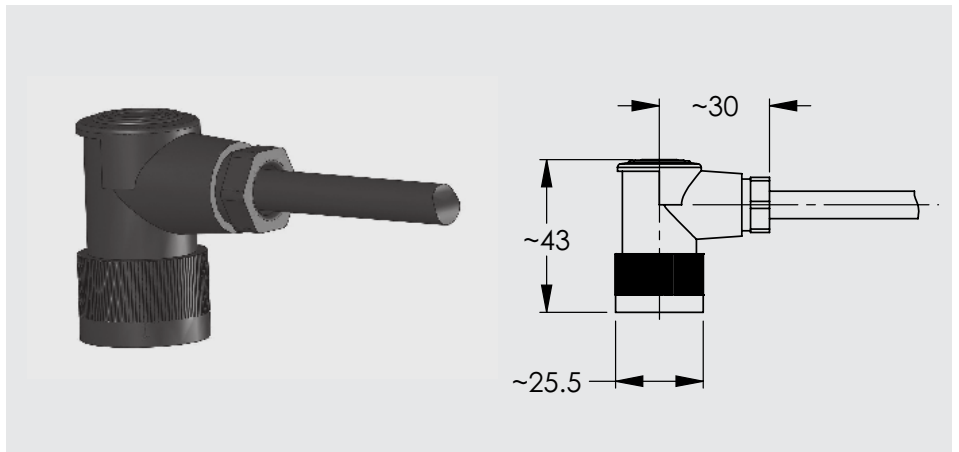
ZBE 03

Female connector
Binder Series 714 M18
4 pole, right-angle
Cable diameter: 6.5 .. 8 mm
Part No.: 609480



Female connector M18
 4 pole, right-angle
 with 5 m cable
 Part No.: 2072889

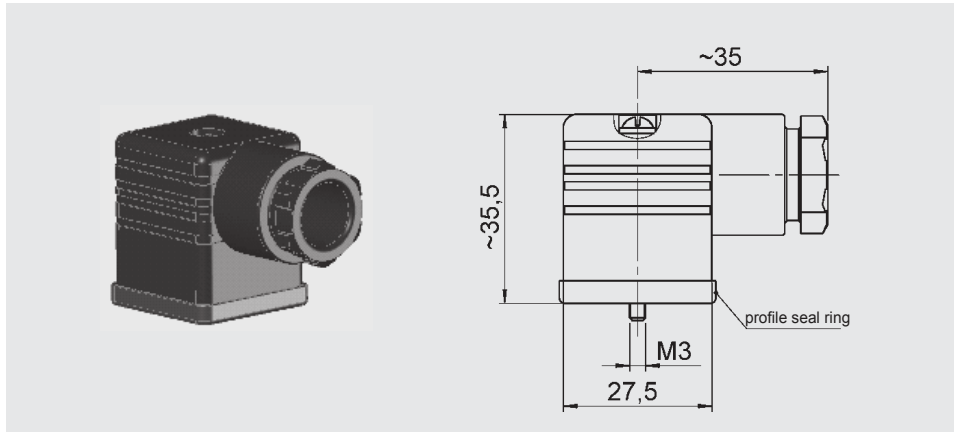
Female connector M18
 4 pole, right-angle
 with 5 m cable
 Part No.: 2082472
(Modified)



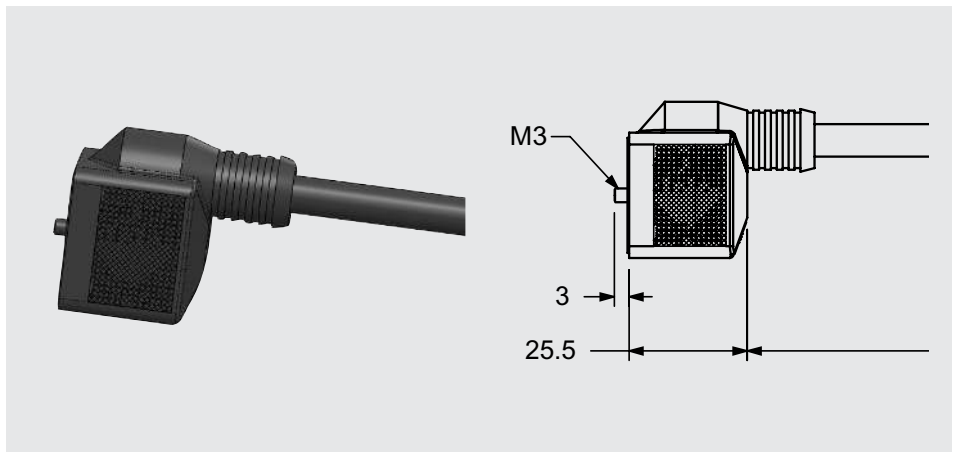
With electrical connection type "5":
 (Male EN175301-803 (DIN 43650) / ISO 4400)

ZBE 01

Female connector
 EN175301-803 (DIN 43650) / ISO 4400
 3 pole + PE, right-angle
 Cable diameter: 4.5 .. 7 mm
 Part No.: 905701



Female connector Hirschmann
 3 pole + PE, straight
 with 3 m cable
 Part No.: 2701774



ZBE 06

Female connector M12x1
4 pole, right-angle
Cable diameter: 2.5 .. 6.5 mm
Part No.: 6006788

Female connector M12x1
4 pole, right-angle
Cable diameter: 6 .. 8 mm
Part No.: 2701462

ZBE 06-02

Female connector M12x1
4 pole, right-angle
with 2 m cable
Part No.: 2701196

ZBE 06-05

Female connector M12x1
4 pole, right-angle
with 5 m cable
Part No.: 2701197

Colour code:

Pin 1: brown
Pin 2: white
Pin 3: blue
Pin 4: black

ZBE 06S-03

Female connector M12x1
4-pole, straight
with 3 m cable, shielded
Part No.: 6098243

ZBE 06S-05

Female connector M12x1
4-pole, straight
with 5 m cable, shielded
Part No.: 6143284

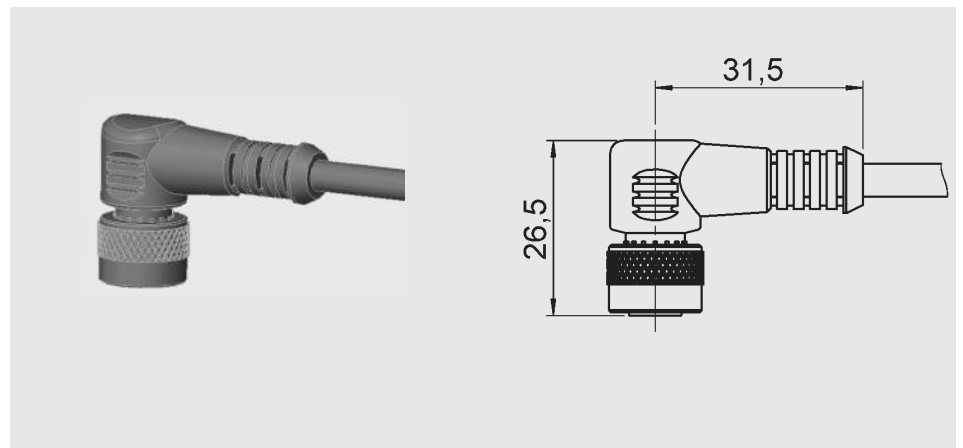
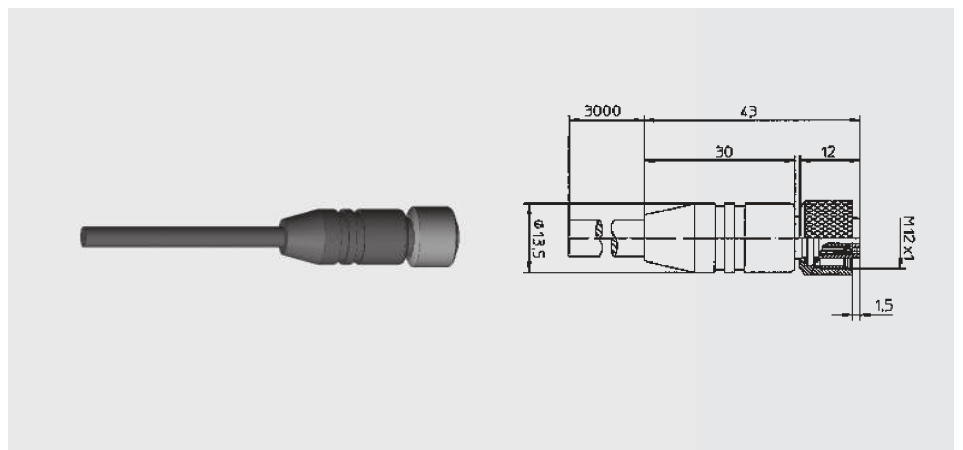
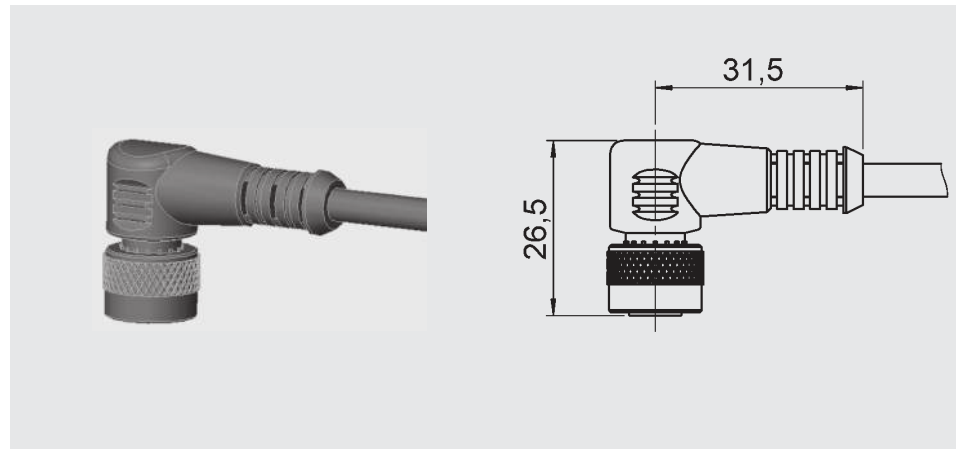
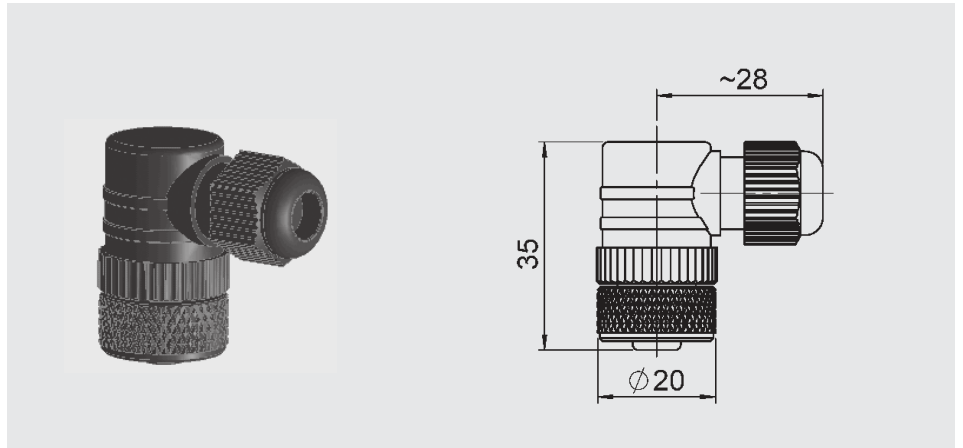
ZBE 06S-05

Female connector M12x1
4 pole, right-angle
with 5 m cable, shielded
Part No.: 6044891

Colour code:

Pin 1: brown
Pin 2: white
Pin 3: blue
Pin 4: black

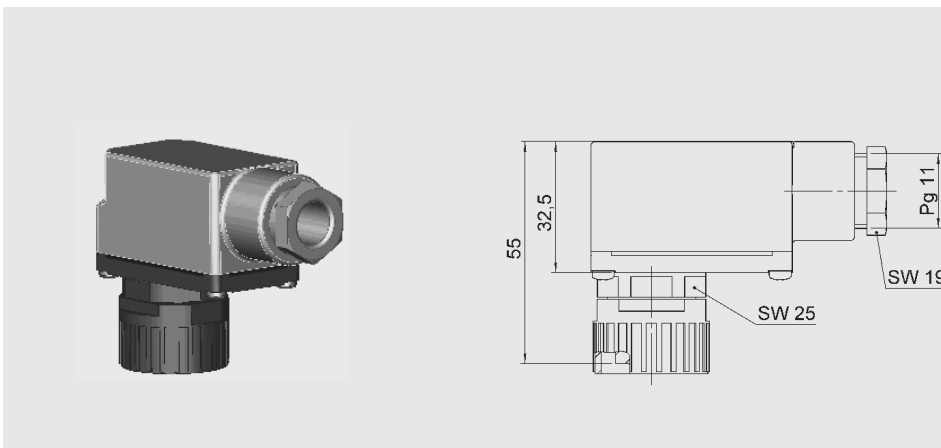
**With electrical connection type "6":
(Male M12x1, 4 pole)**



ZBE 10

Female connector DIN 43651
6 pole + PE, right-angle
Cable diameter: 7 .. 9 mm
Part No.: 654527

With electrical connection type "7": (Male DIN 43651)

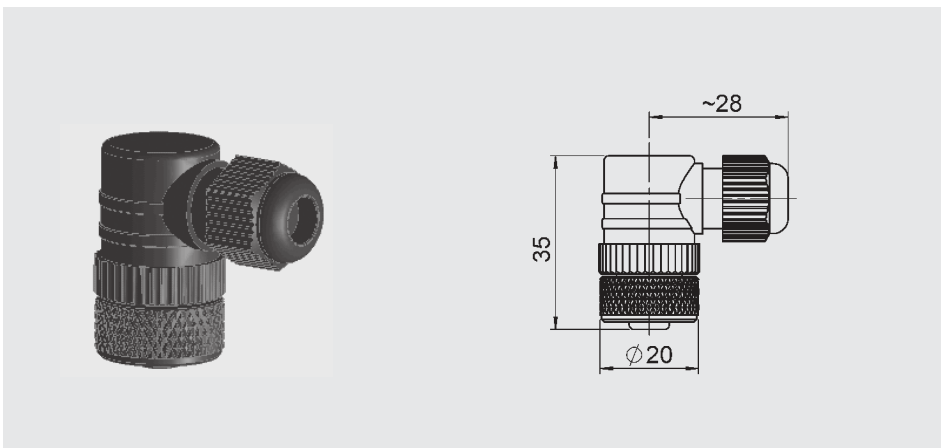


ZBE 08

Female connector M12x1
5 pole, right-angle
Cable diameter: 2.5 .. 6.5 mm
Part No.: 6006786

Female connector M12x1
5 pole, right-angle
Cable diameter: 6 .. 8 mm
Part No.: 2701775

With electrical connection type "8": (Male M12x1, 5 pole)



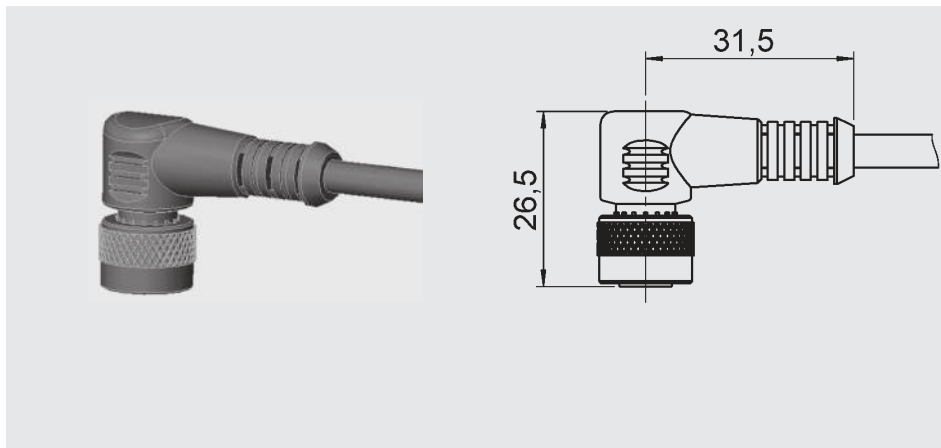
ZBE 08-02

Female connector M12x1
5 pole, right-angle
with 2 m cable
Part No.: 6006792

ZBE 08-05

Female connector M12x1
5 pole, right-angle
with 5 m cable
Part No.: 6006791

Colour code:
Pin 1: brown
Pin 2: white
Pin 3: blue
Pin 4: black
Pin 5: grey



ZBE 08S-02

Female connector M12x1
5 pole, right-angle
with 2 m cable, shielded
Part No.: 6019455

ZBE 08S-05

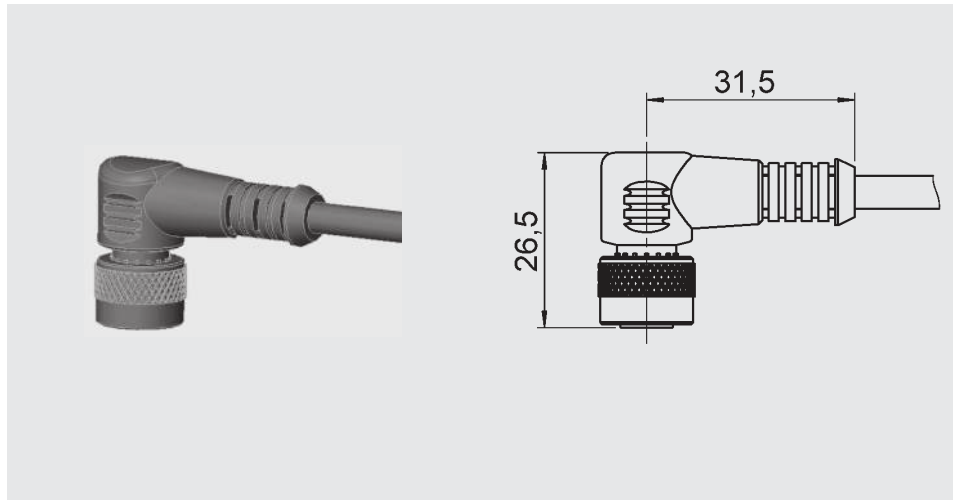
Female connector M12x1
5 pole, right-angle
with 5 m cable, shielded
Part No.: 6019456

ZBE 08S-10

Female connector M12x1
5 pole, right-angle
with 10 m cable, shielded
Part No.: 6023102

Colour code:

Pin 1: brown
Pin 2: white
Pin 3: blue
Pin 4: black
Pin 5: grey

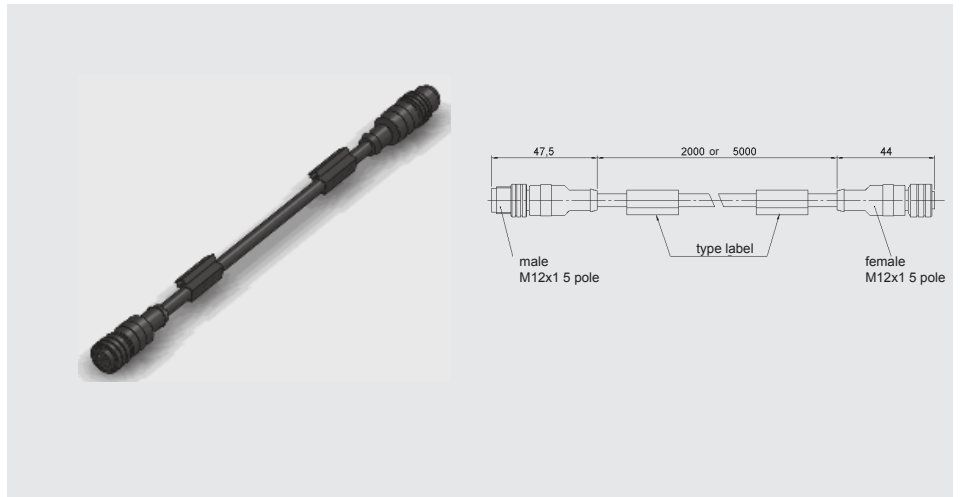


ZBE 30-02

Connection cable M12x1
plug/socket
5 pole, 2 m
Part No.: 6040851

ZBE 30-05

Connection cable M12x1
plug/socket
5 pole, 5 m
Part No.: 6040852



ZBE 0P

Female connector M12x1
8 pole, right-angle
Cable diameter: 4 .. 8 mm
Part No.: 6055444

ZBE 0P-02

Female connector M12x1
8 pole, right-angle
with 2 m cable
Part No.: 6052697

ZBE 0P-05

Female connector M12x1
8 pole, right-angle
with 5 m cable
Part No.: 6052698

Colour code:

- Pin 1: white
- Pin 2: brown
- Pin 3: green
- Pin 4: yellow
- Pin 5: grey
- Pin 6: pink
- Pin 7: blue
- Pin 8: red

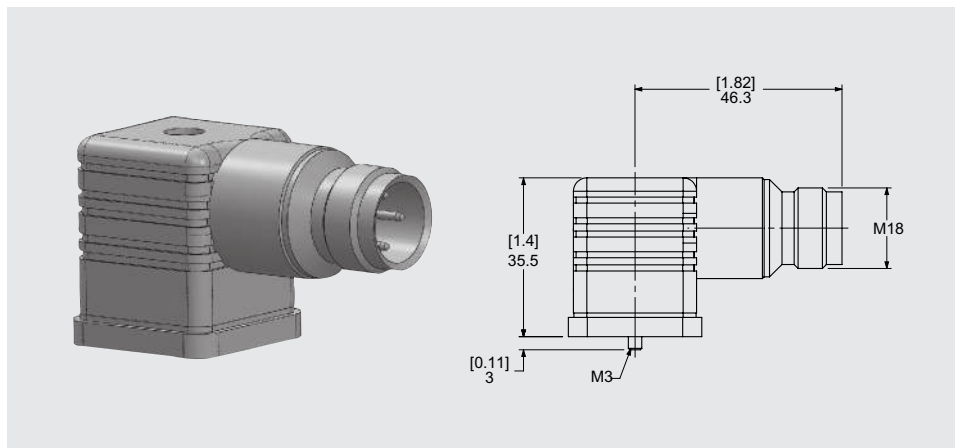
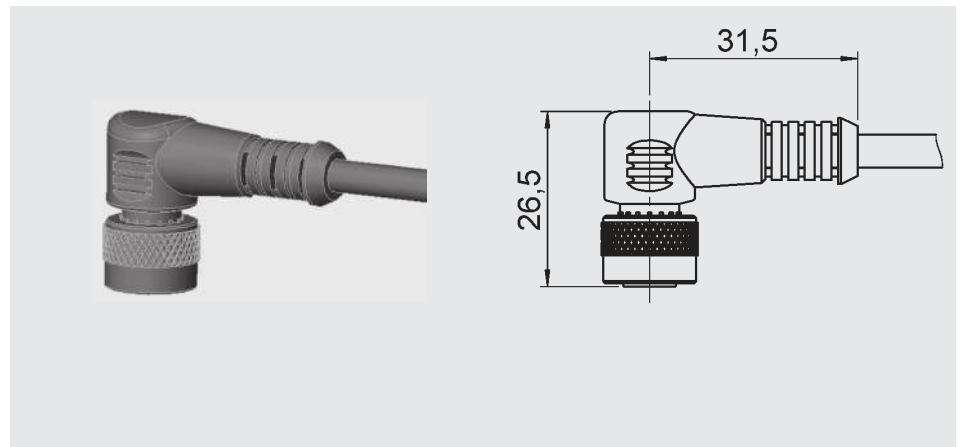
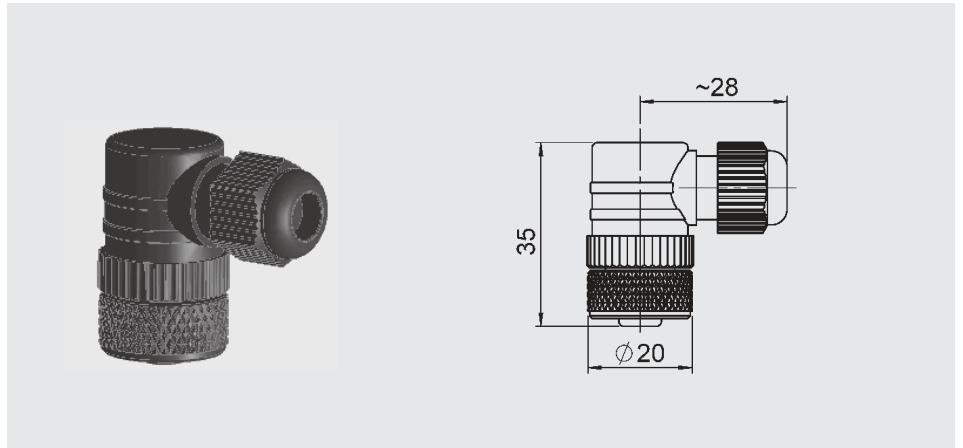
ZBE 0P

Female connector M12x1
8 pole, right-angle
Cable diameter: 4 .. 8 mm
Part No.: 6055444

ZBE 04

Hirschmann DIN 43650 to Binder M12
Part No.: 258011

**With electrical connection type "P":
(Male M12x1, 8 pole)**



Note:

The information in this brochure relates to the operating conditions and applications described.

For applications or operating conditions not described, please contact the relevant technical department.

Subject to technical modifications.

HYDAC ELECTRONIC

90 Southland Dr. Bethlehem, PA 18107

Telephone: 610.266.0100

Email: electronics@hydacusa.com

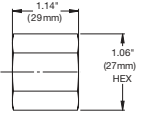
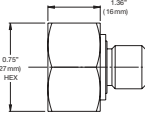
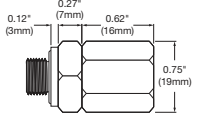
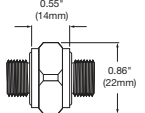
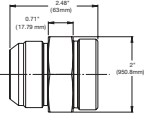
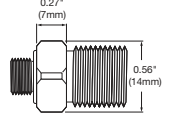
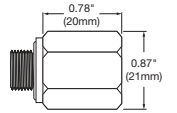
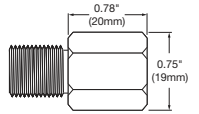
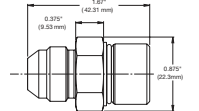
Website: www.hydac-na.com

Mechanical Accessories

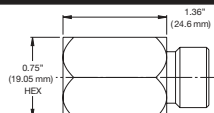
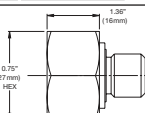
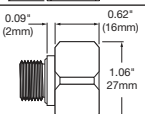
Mechanical Adapters

A Connection	B Connection	Model Code Description	Part No.	Dimensions
G 1/4 (F)	1/4" NPT (M)	Adapter G 1/4 (F) to 1/4" NPT (M) stainless steel	02701407	
G 1/4 (F)	G 1/4 (F)	Adapter G 1/4 (F) to G 1/4 (F)	02063435	
G 1/4 (F)	SAE-4 (M) JIC37	Adapter G 1/4 (F) to SAE-4 (M) JIC 37	02700841	
G 1/4 (F)	SAE-6 (M)	Adapter G 1/4 (F) to SAE-6 (M)	02055566	
G 1/4 (F)	1/4" NPT (M)	Adapter G 1/4 (F) to 1/4" NPT (M) Stainless Steel	02055899	
G 1/4 (F)	G 1/4 (M)	Aligning adapter for EDS 300	02700947	
G 1/4 (F)	G 1/2 (M)	ZBM 01 DIN 16288	00257276	
G 1/4 (F)	G 1/2 (M)	ZBM 02 DIN 3852	00257277	
G 1/4 (F)	G 1/4 (M) w/ 0.3mm (Snubber)	ZBM 09	00907367	

Mechanical Adapters cont.

G 1/4 (F)	G 1/2 (F)	ZBM 10	00257764	
G 1/4 (F)	G 1/4 (M) w/ 0.5mm (Snubber)	ZBM 13	00906968	
G 1/4 (F)	G 1/4 (M)	ZBM 14	00907818	
G 1/4 (M)	G 1/4 (M)	ZBM 03	00257163	
SAE-24 37°	M1 1/2 BSPP (M)	Adapter SAE-24 37° to M1 1/2 BSPP (M)	02700542	
SAE-4 (M)	1/4\" NPT (M)	Adapter SAE-4 (M) to 1/4\" NPT (M)	02701426	
SAE-6 (F)	G 1/4 (M)	Adapter SAE-6 (F) to G 1/4 (M)	02701429	
SAE-6 (F)	1/4\" NPT (M)	Adapter SAE-6 (F) to 1/4\" NPT (M)	02701673	
SAE-8 (M) 37°	G 1/2 (M)	Adapter SAE-8 (M) 37° to G 1/2 (M)	02700541	

Snubber Adapters

A Connection	B Connection	Model Code Description	Part No.	Dimensions
G 1/4 (F)	SAE-6 (M)	Snubber 0.5mm	02067166	
G 1/4 (F)	G 1/4 (M)	ZBM 13 0.5mm Snubber	00906968	
SAE-6 (F)	SAE-6 (M)	ZBM 15 0.5mm Snubber	00907750	

Mechanical Adapters

A Connection	B Connection	Model Code Description	Part No.	Dimensions
M16x2.0	1/4 NPT	Testpoint Direct Gauge Adapter 1620 (1/4 NPT)	06003769	<p> G SW 22mm Hex M 16x2.0 t(Point Connection) </p>
M16x2.0	SAE-4	Testpoint Direct Gauge Adapter 1620 (7/16-20 UNF)	02083643	<p> G SW 22mm Hex M 16x2.0 t(Point Connection) </p>
M16x2.0	G 1/4	Testpoint Direct Gauge Adapter 1620 (G 1/4)	06003824	<p> G SW 22mm Hex M 16x2.0 t(Point Connection) </p>
M16x2.0	G 1/2	Testpoint Direct Gauge Adapter 1620 (G 1/2)	06003825	<p> G SW 22mm Hex M 16x2.0 t(Point Connection) </p>

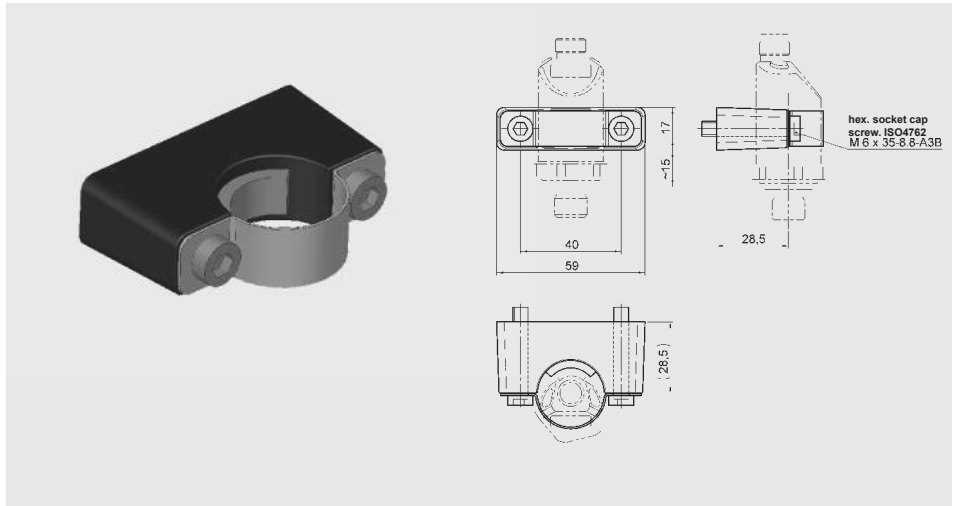
Mounting accessories, device-specific EDS 8000, HDA 8000; EDS 810

ZBM 8000

Clamp for wall-mounting
- screw-type fitting -

(Material of lower section:
TPE Santoprene 10187;
Material of top section:
Steel strip DIN 95381-1.4571)

Part No.: 3546755

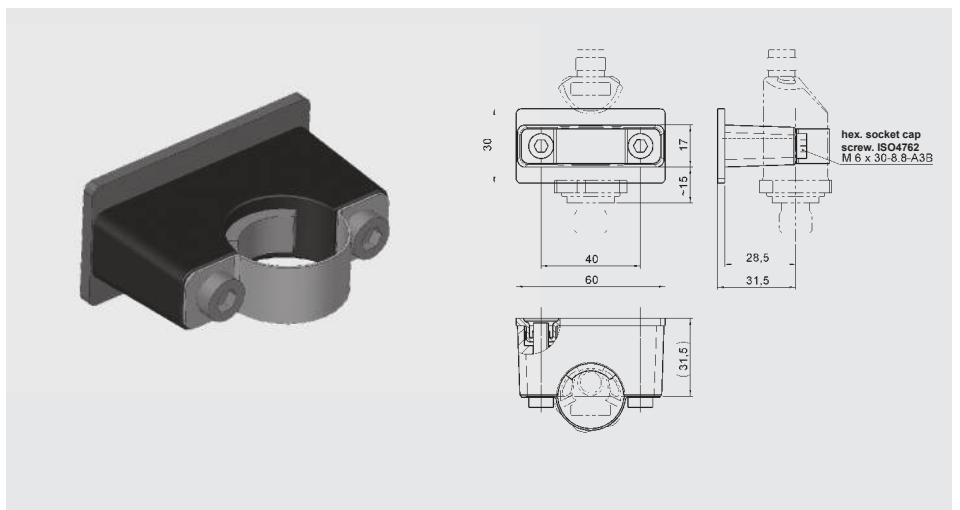


ZBM 8100

Clamp for wall-mounting
- weld-type fitting -

(Material of welding bridge:
QSTE340TM, zinc coating
EN 12329 FE/ZN8/B;
Material of lower section:
TPE Santoprene 10187;
Material of top section:
Steel strip DIN 95381-1.4571)

Part No.: 3546757



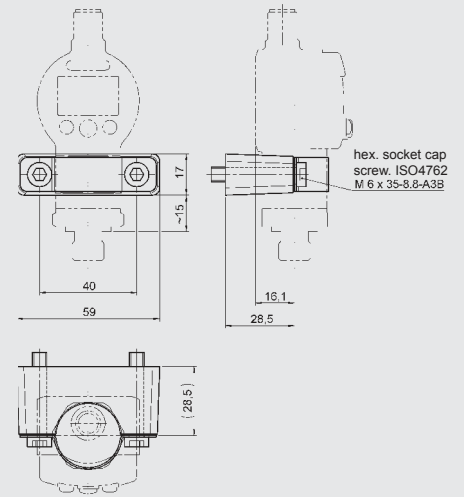
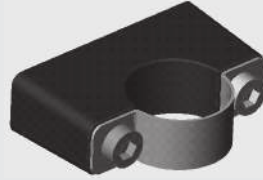
Mounting accessories, device-specific
EDS 3000, ETS 3000, AS 3000, ENS 3000 and HNS 3000

ZBM 3000

Clamp for wall-mounting
 - screw-type fitting -

(Material of lower section:
 TPE Santoprene 10187;
 Material of top section:
 Steel strip DIN 95381-1.4571)

Part No.: 3184630

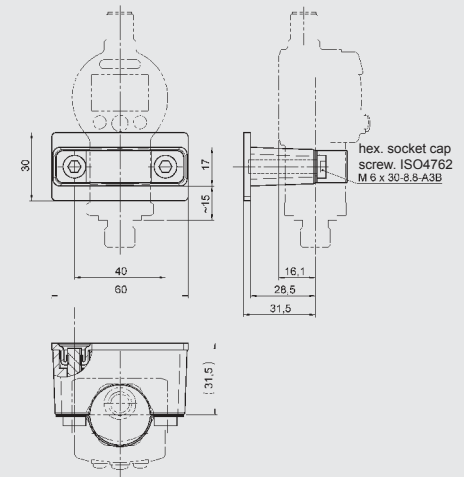
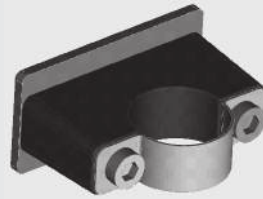


ZBM 3100

Clamp for wall-mounting
 - weld-type fitting -

(Material of welding bridge:
 QSTE340TM, zinc coating
 EN 12329 FE/ZN8/B;
 Material of lower section:
 TPE Santoprene 10187;
 Material of top section:
 Steel strip DIN 95381-1.4571)

Part No.: 3184632

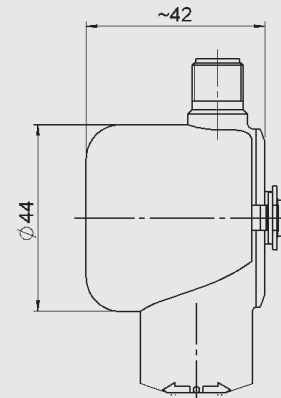


ZBM 3200

Splash guard

(Material:
 Elastollan S60 A15 SPF 000)

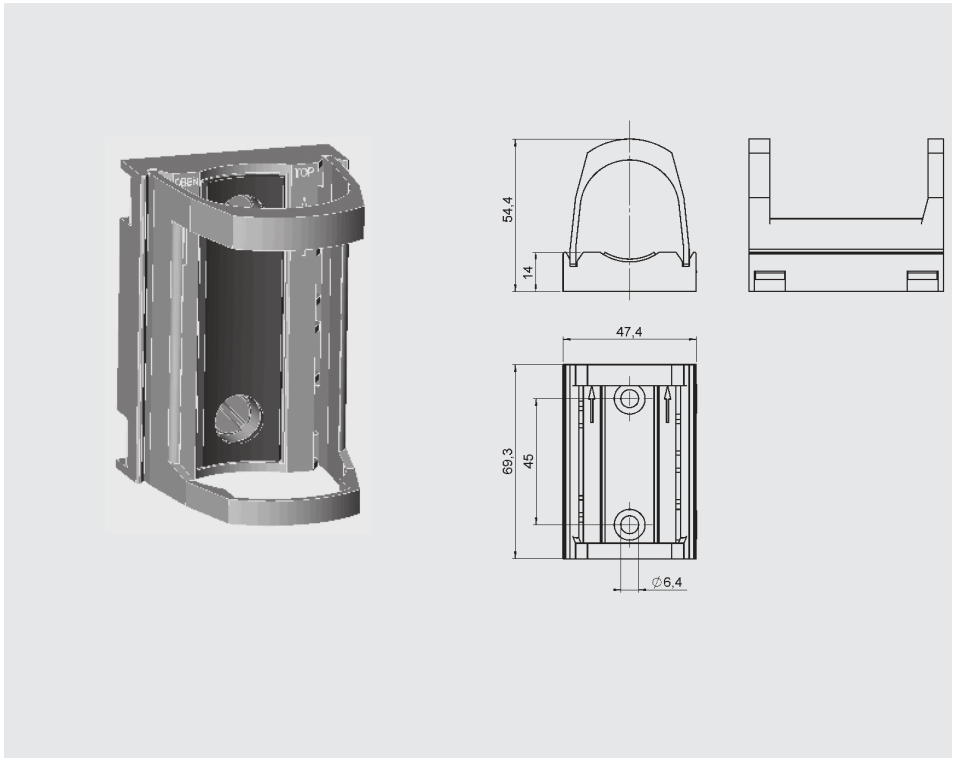
Part No.: 3201919



Mounting accessories, device-specific EDS 300, ETS 300

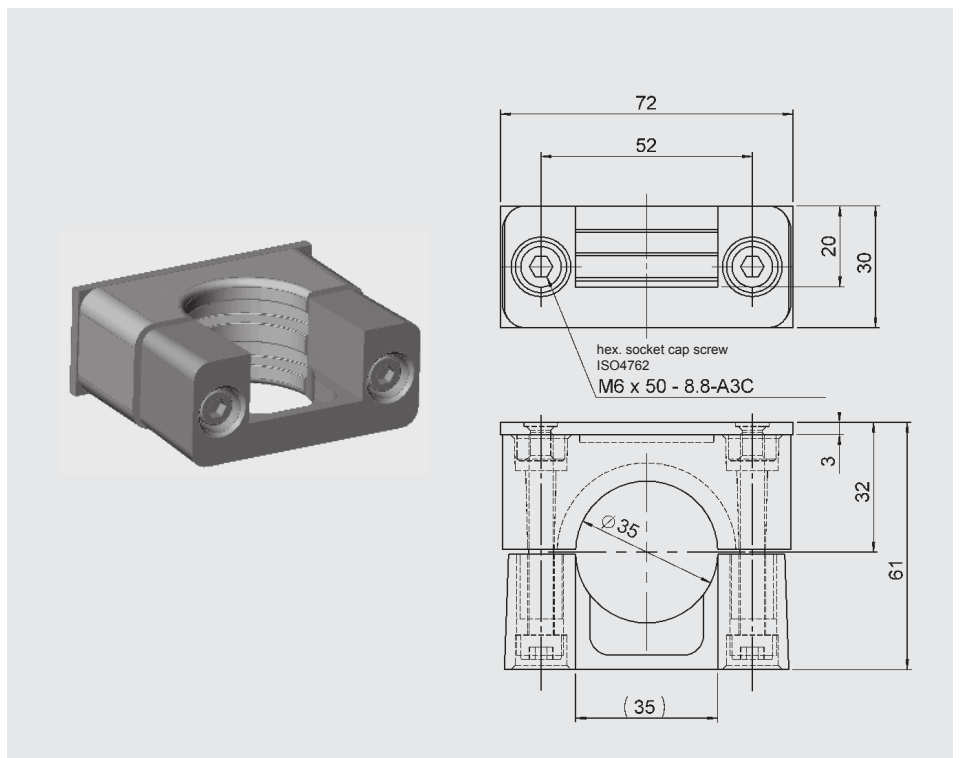
ZBM 300

Clamp for wall-mounting
- screw-type fitting -
(Material polypropylene)
Part No.: 906385



ZBM 310

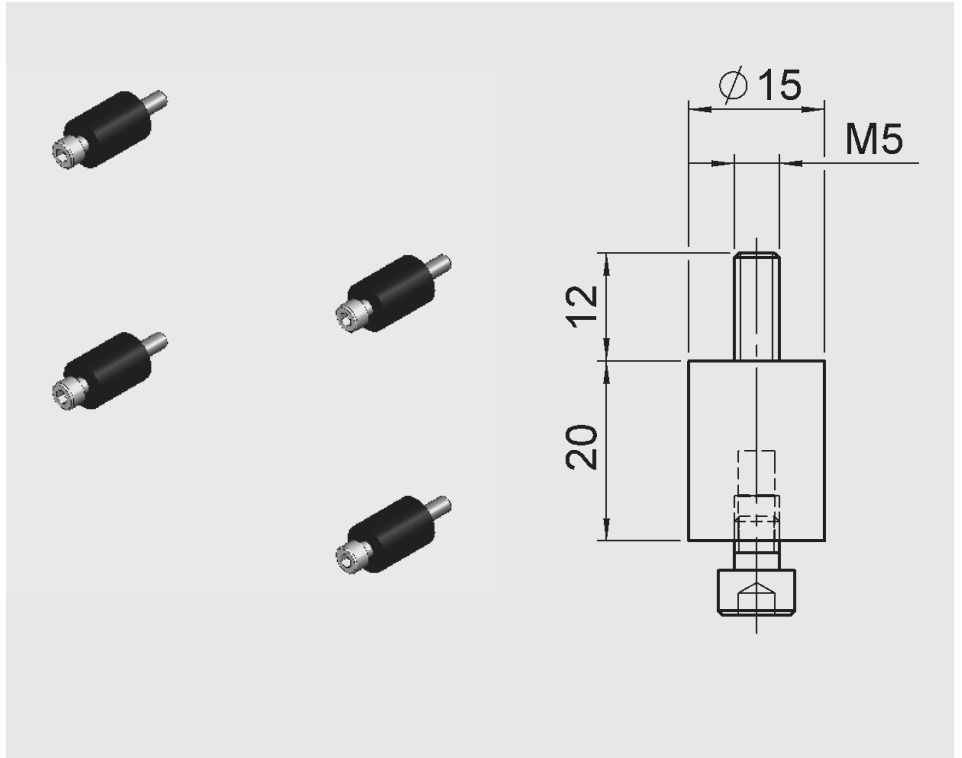
Clamp for wall-mounting
- weld-type fitting -
(Material polypropylene,
aluminium AlSi12, steel)
Part No.: 6011511



Vibration mounts

Part No.: 257492

Mounting accessories, device-specific EDS 1700, ETS 1700

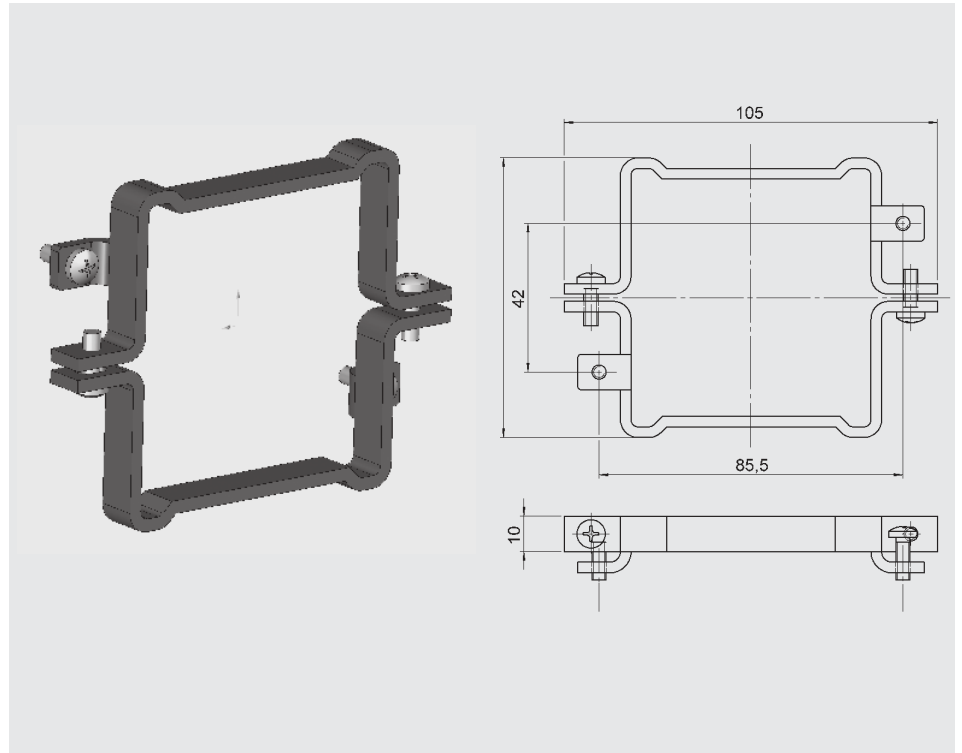


Mounting kit EDS 601

- for front panel mounting-
(St4K32 DIN 1544)

Part No.: 905404

Mounting accessories, device-specific EDS 601

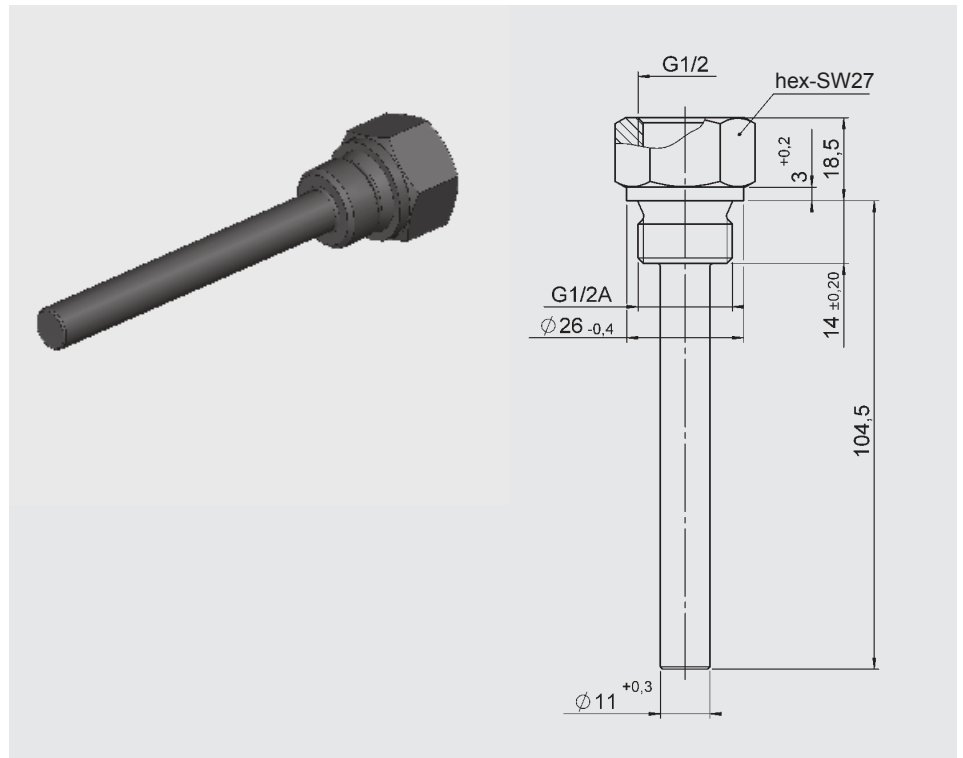


Protective sleeve for tank-mounting

(Material CuZn39Pb3 - DIN 1763, electro-nickel-plated)

Part No.: 909640

Tank mounting sleeve , device-specific ETS 3000 (100 mm)



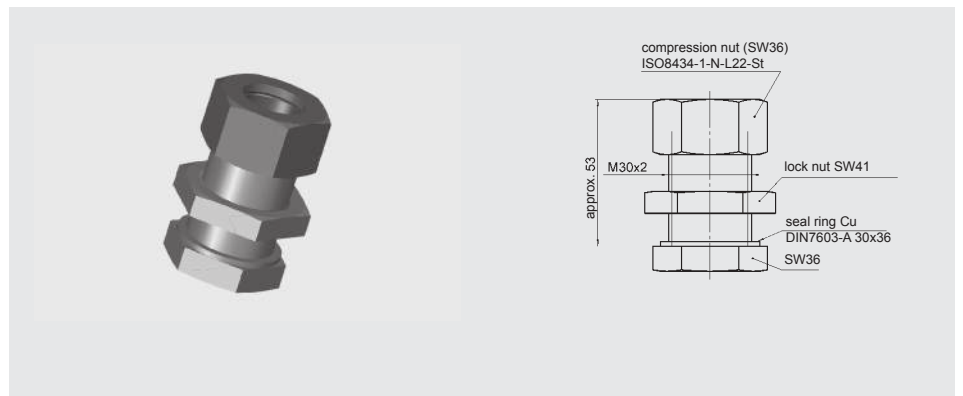
ZBM 19

Straight bulkhead union ISO 8434

Part No.: 908738

Note: Not suitable for ENS with 250 mm probe length

Connection accessories, device-specific ENS 3000



ZBM 20

Straight male stud coupling to ISO 8434

Part No.: 908739

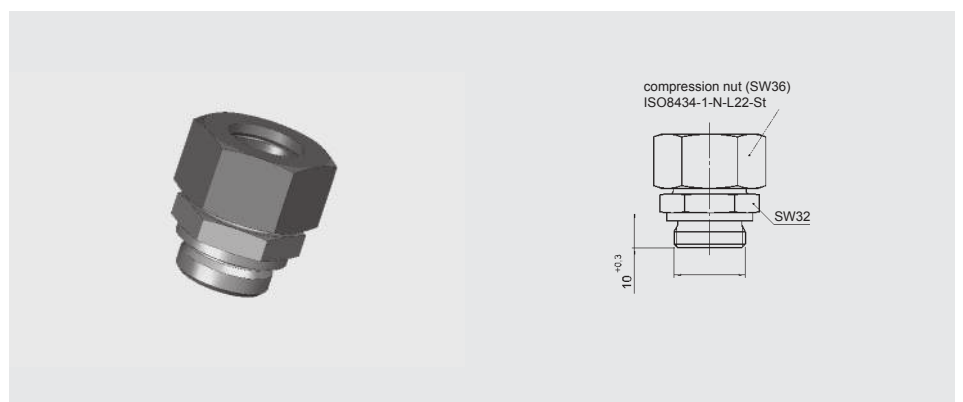
ZBM 20 ENS 3000 Adapter (G 3/4 BSPP)

Part No.: 2701672

ZBM 20 ENS 3000 Adapter (1" BSPP)

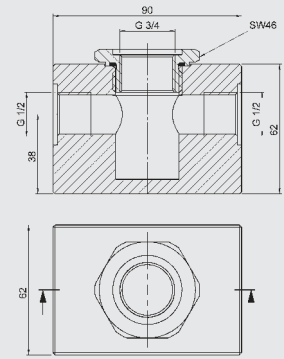
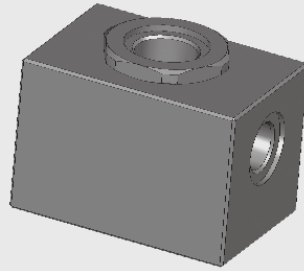
Part No.: 2701568

ZBM 20 ENS 3000 Adapter (3/4" BSPP)



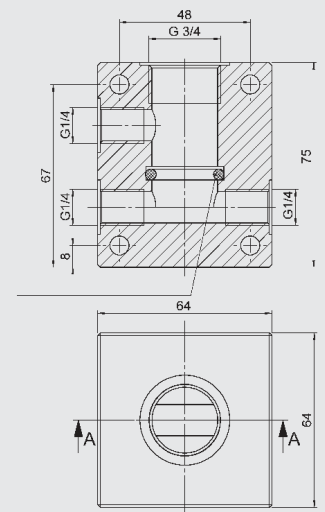
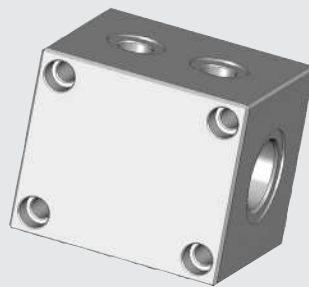
ZBM 21 (Flow)

Mounting block for HLB 1300
for flow rates > 2 l/min
Part No.: 3244260



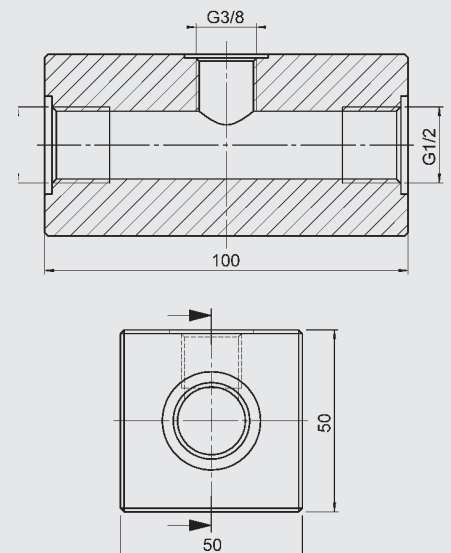
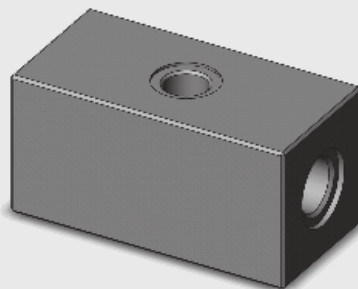
ZBM 23 (Low Flow)

Mounting block for HLB 1300
for flow rates from 0.5 .. 10 l/min
Part No.: 3299331



ZBM 22

Mounting block for AquaSensor
AS 1000 and AS 3000
Part No.: 3248511



Mounting block, device-specific HLB 1300

Connection accessories, device-specific AS 1000, AS 3000

Note:

The information in this brochure relates to the operating conditions and applications described.

For applications or operating conditions not described, please contact the relevant technical department.

Subject to technical modifications.

HYDAC ELECTRONIC

90 Southland Dr. Bethlehem, PA 18107
Telephone: 610.266.0100
Email: electronics@hydacusa.com
Website: www.hydac-na.com

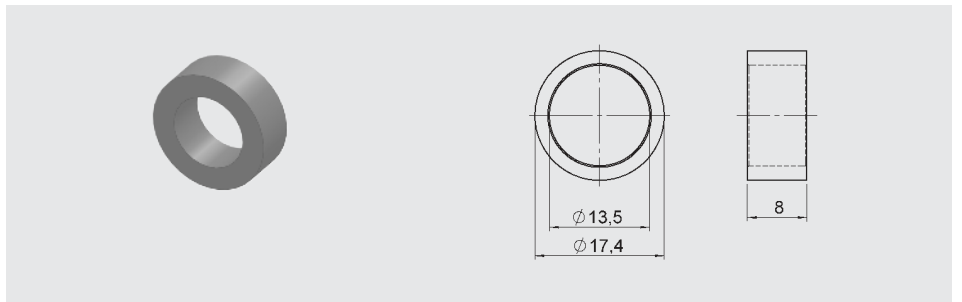
Accessories Sensors for Distance and Position

ZBL MR17

Position magnet for HLT 1000 and HLT 2100

Part No.: 6119372

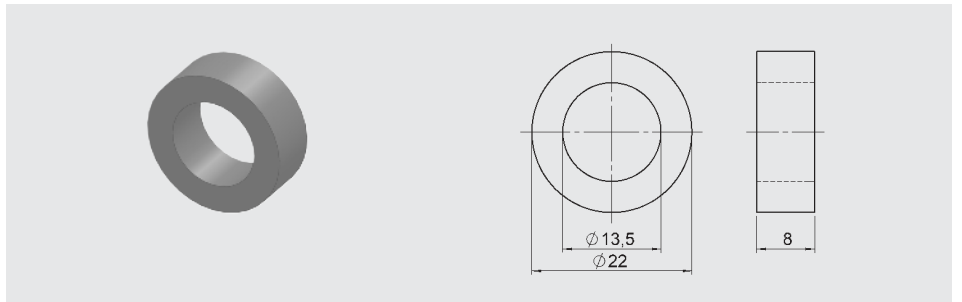
Magnets for HLT 1000, HLT 2000, HNT 1000



ZBL MR22

Position magnet for HLT 1000 and HLT 2100

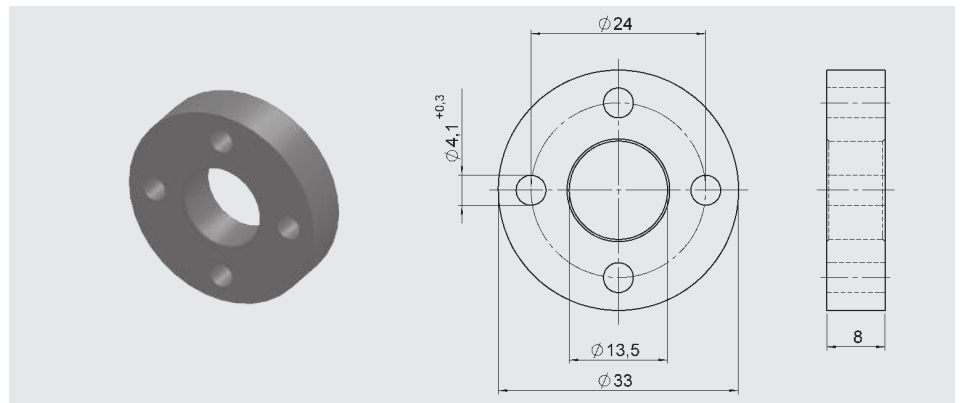
Part No.: 6084453



ZBL MR33

Position magnet for HLT 1000 and HLT 2100

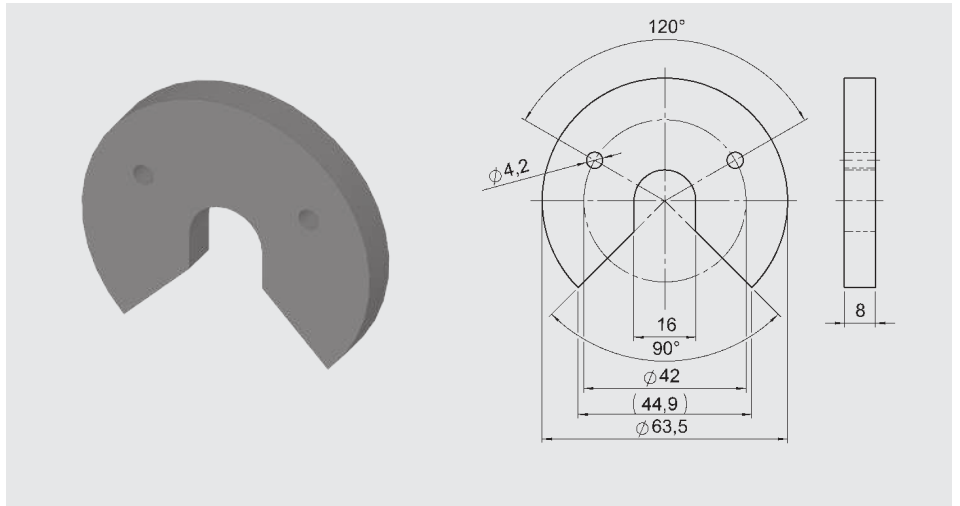
Part No.: 6084207



ZBL MV63

Position magnet for
HLT 1000, HLT 2100 and
HLT 2500-L2

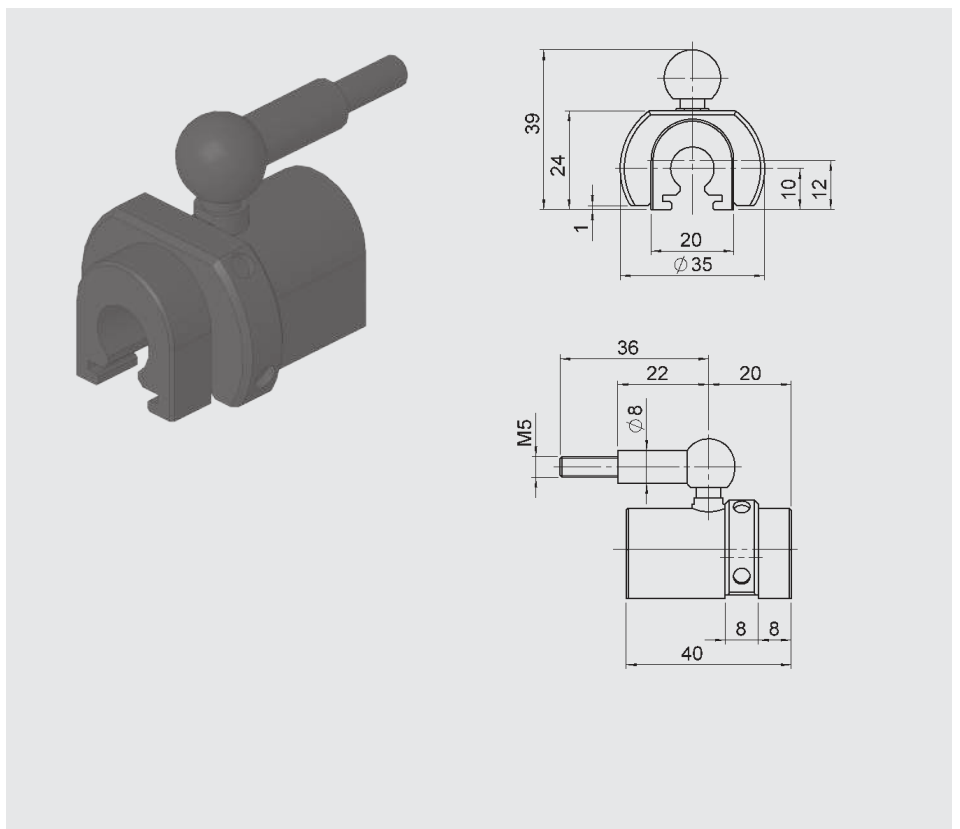
Part No.: 6084454



ZBL MS35-39

Measuring slide for
HLT 2500-L2

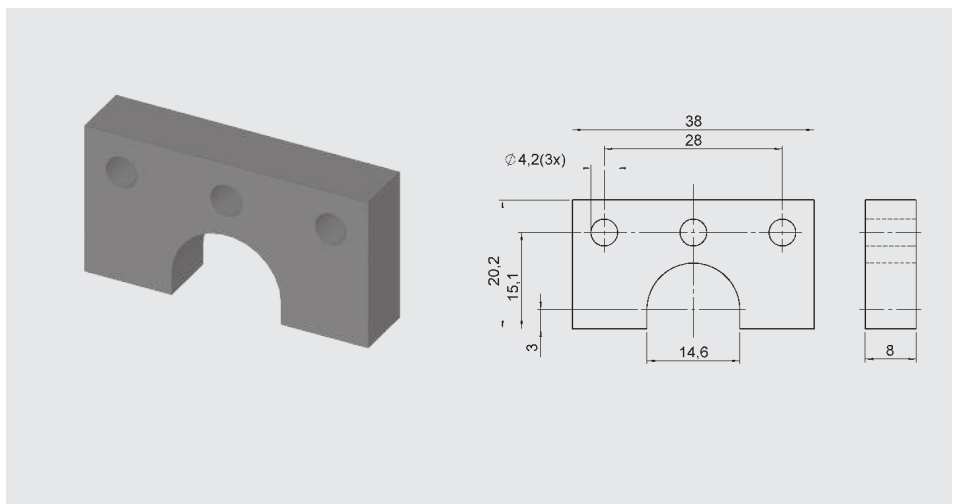
Part No.: 6105654



ZBL MU38-20

Position magnet for
HLT 1000, HLT 2100 and
HLT 2500-L2

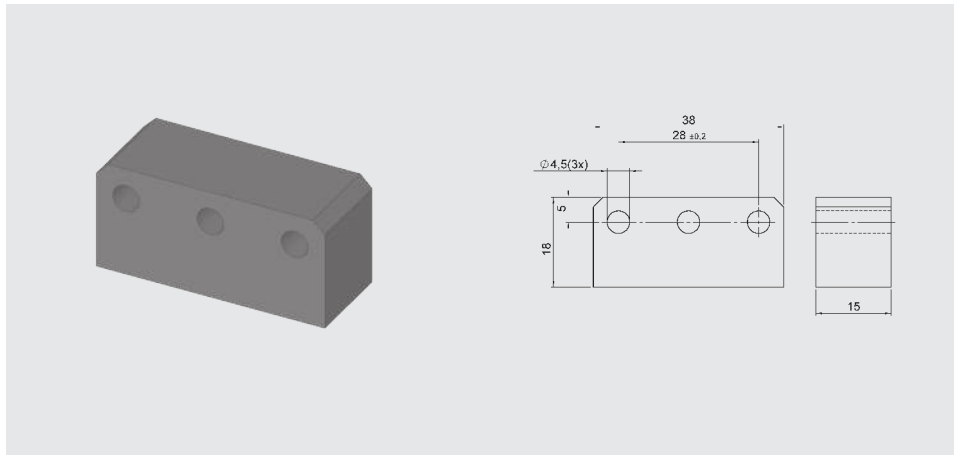
Part No.: 6084455



ZBL MF38-18

Position magnet for
HLT 2500-F1

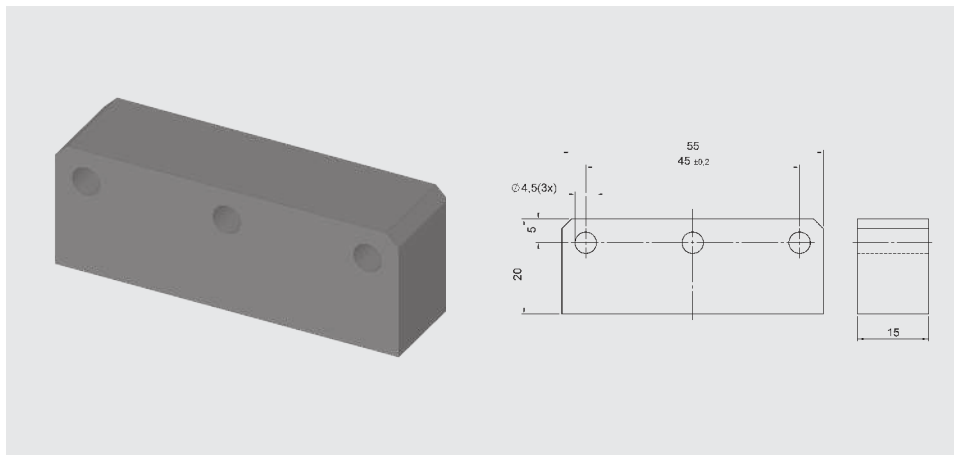
Part No.: 6084456



ZBL MF55-20

Position magnet for
HLT 2500-F1

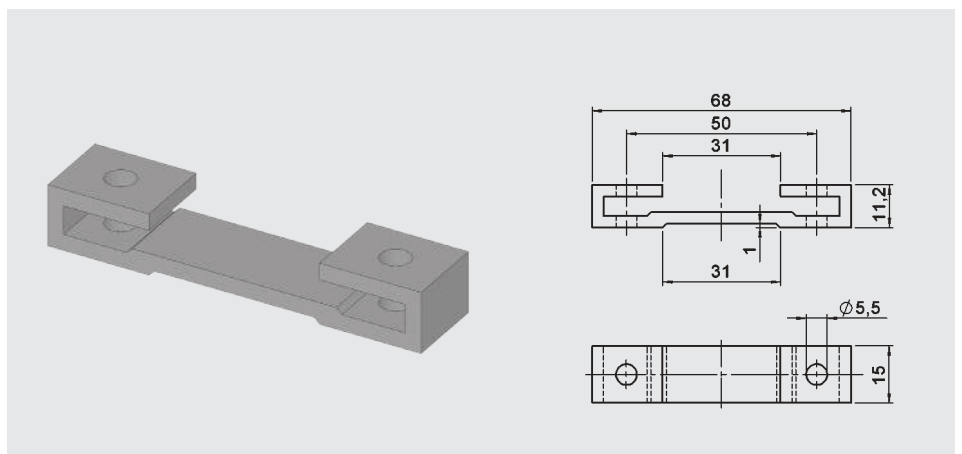
Part No.: 6084457



ZBL Mounting set

Mounting set for HLT 2500

Part No.: 6105653



Electrical accessories HLT 2000

Electrical connection	Signal output	HYDAC description	Part number
M06	Analog	Cable connector C091, 6 pole, straight	654653
M08	Analog	Cable connector C091, 8 pole, straight	6123255
C61	CAN / DVN	ZBE 08 cable connector M12x1, 5 pole, right-angle	6006786
S01	SSI	Cable connector M23, 12 pole, straight	6120462
S01	SSI	Cable connector M23, 12 pole, right-angle	6120463

Note:

The information in this brochure relates to the operating conditions and applications described. For applications and operating conditions not described, please contact the relevant technical department. Subject to technical modifications.

HYDAC ELECTRONIC
90 Southland Dr. Bethlehem, PA 18107
Telephone: 610.266.0100
Email: electronics@hydacusa.com
Website: www.hydac-na.com

Accessories for Service Instruments

Aluminium case

for HMG 30X0 and accessories

Part No.: 6042959



Bag with carrying strap

for HMG 30X0

Part No.: 909795



Power supply unit

for HMG 30X0, Spare Part

Part No.: 6054296



ZBE 31

Car charger for HMG 30X0

Part No.: 909739



ZBE 34

Adapter for HMG 30X0 for connecting
HYDAC transmitters

(4 .. 20 mA, 2 conductor)

Male M12x1 to

Binder series 714 M18

(electrical connection type "4")

Part No.: 3236597



ZBE 35

Adapter for HMG 30X0 for connecting
HYDAC transmitters

(4 .. 20 mA, 2 conductor)

Male M12x1 to

Male EN175301-803

(DIN 43650)

(electrical connection type "5")

Part No.: 3236601



ZBE 36

Adapter for HMG 30X0 for connecting an AquaSensor AS 1000

Part No.: 909737



ZBE 38

Y adapter (black) for HMG 30X0 to double the number of input sockets

Part No.: 3224436



ZBE 41

Y adapter (yellow) for HMG 30X0 for connecting a ContaminationSensor CS 1000

Part No.: 910000



ZBE 3010

CAN adapter for HMG 3010 for connecting a CAN-Bus

Part No.: 921238



Connection cable

for HMG 30X0 - PC (USB), Spare Part

Part No.: 6040585



Hydraulic adapter kit

for HMG

2 pieces each

- Adapter hose DN 2 -1620 / 1620 (400 mm and 1000 mm)
- Pressure gauge conn. 1620 / G1/4
- Adapter 1650 / 1620
- Bulkhead union 1620 / 1620

Part No.: 903083



HDS 1000 RPM probe

for HMG 30X0

including reflective foil set

Part No.: 909436

HDS 1000 reflective foil set

Spare Part, Quantity: 25

Part No.: 904812



UVM 30X0

Module for HMG 30X0 for connecting different input signals

Part No.: 909752



Plastic case

for HMG 500/510 and accessories

Part No.: 6043006



Power supply (230 V AC)

for HMG 500/510

Part No.: 6043562



Connection cable

for HMG 510 - PC (USB), Spare Part

Part No.: 6049553



ZBE 30-02 (5 pole)

Connection cable M12x1, 2 m male/female

Part No.: 6040851

ZBE 30-05 (5 pole)

Connection cable M12x1, 5 m male/female

Part No.: 6040852



SSH 1000

Sensor simulator to simulate 2 HSI sensors, ideal for training purposes

Part No.: 909414



Note:

The information in this brochure relates to the operating conditions and applications described.

For applications or operating conditions not described, please contact the relevant technical department.

Subject to technical modifications.

HYDAC ELECTRONIC

90 Southland Dr. Bethlehem, PA 18107

Telephone: 610.266.0100

Email: electronics@hydacusa.com

Website: www.hydac-na.com