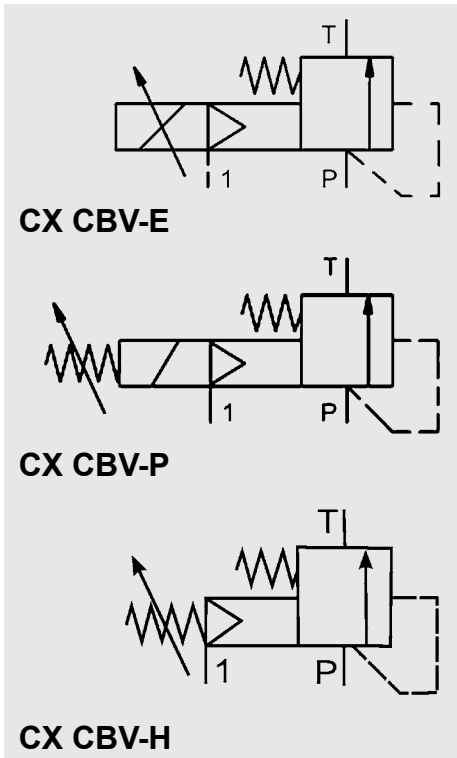




2/2-Way Pressure Relief Valve CX CBV

Model code
(also order example)

CX CBV 15 120 G1 F E 24V



Designation

CX CBV = Pressure relief valve

Nominal size

15 = DN 15

Pressure range

5 - 120 bar

Connection

G1 = female threaded connection G1"

Seal

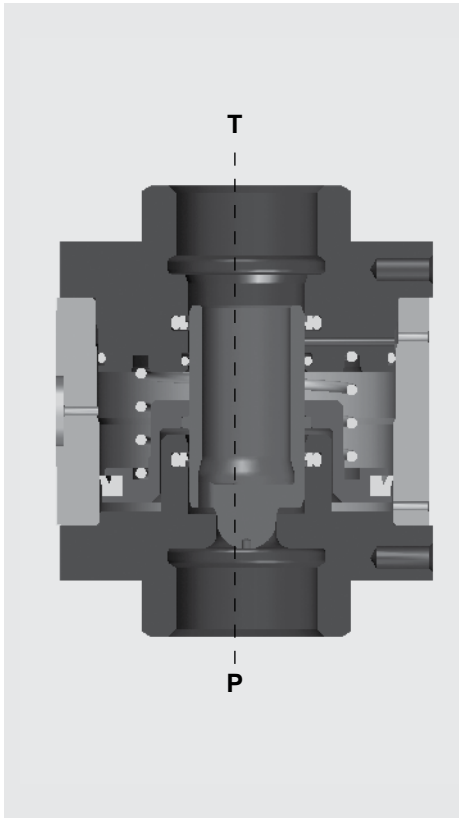
F = FKM (Viton)

Control

- E = Electrical proportional control of pilot pressure reducing valve
- P = Manually adjustable control via solenoid valve to limit system pressure
- H = Manually adjustable control of pilot pressure reducing valve

Supply voltage

24 V = 24V DC (not for CX CBV - H)



Construction

Essentially this valve consists of a valve body with integrated valve seat, and a hardened and ground closing cone. The pre-set force is produced by a spring and a pressurized piston. On the coaxial type, the inlet and outlet are in line.

Function

The compressed air with the spring produces a force on the closing cone, pressing it into the valve seat, which opposes the hydraulic pressure on the 'P' port. If this is less than the pre-set force, the valve remains closed. If the hydraulic pressure exceeds the pre-set force, the cone will lift away from the seat and the fluid flows from the 'P' port to the tank port 'T'. This limits pressure at the 'P' port. Hydraulic energy dissipated in this way is converted into heat energy.

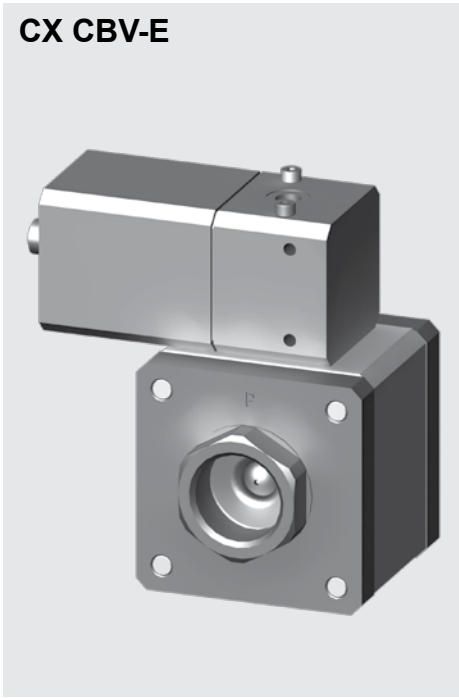
Technical specifications

Control	E: Electrical proportional control of pilot pressure reducing valve P: Manually adjustable control via solenoid valve which limits system pressure H: Manually adjustable control of pilot pressure reducing valve
Media	contaminated fluids
Nominal bore	DN 15
Pressure range	5 – 120 bar
Flow rate	6 m ³ /h
Housing material	Steel, zinc-plated
Material of seals	FKM
Temperature of medium	0 °C to +60 °C
Ambient temperature	+10 °C to +50 °C
Connections	Female threaded connection G1"
Electrical connection	E: male connection M12 x 1 P: female connection DIN EN 175301-803 optional: solenoid coil M12x1 with LED
Supply voltage	E: 24 V DC (max. residual ripple 10 %) P: 24 V DC, 230 V AC, special voltages
Voltage tolerance	E / P: ± 10 % to VDE 0580
Power consumption	E: 2.5 Watt P: 7 Watt
Duty	E / P: 100 %
IP class	E / P: IP 65 when fitted with connector
Mounting position	E: M12 connection preferably uppermost H / P: control plate preferably uppermost
Control air	40 µ filtered, max. 8 bar

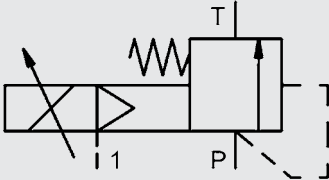
T-line should be connected without pressure to tank

Further options and accessories available on request.

CX CBV-E

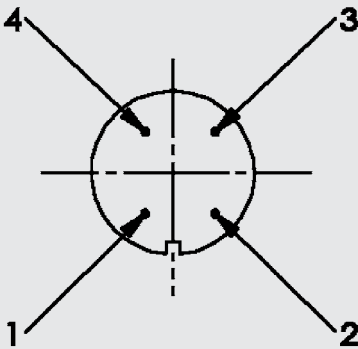


Switching function



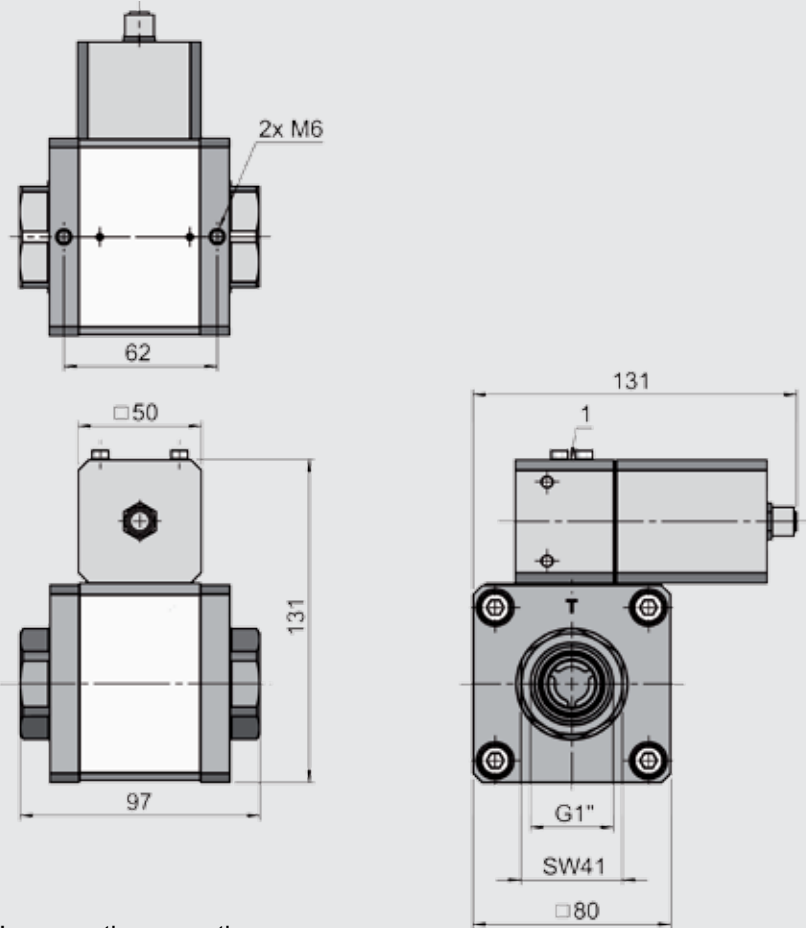
Electrical connection

(M21x1)



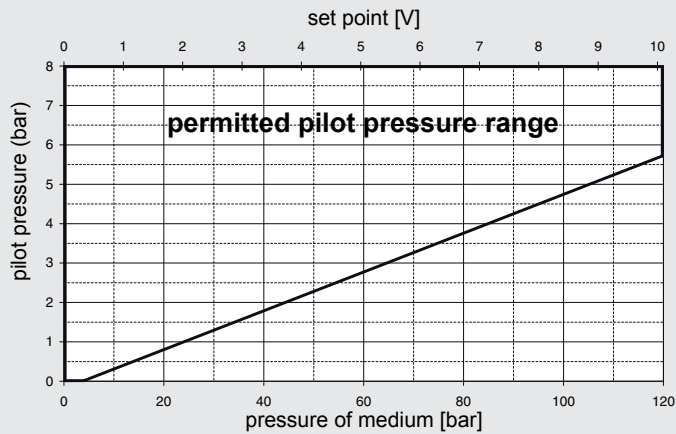
1	Supply
2	Set value (-)
3	GND (-)
4	Set value (+) 0-10V

Dimensions

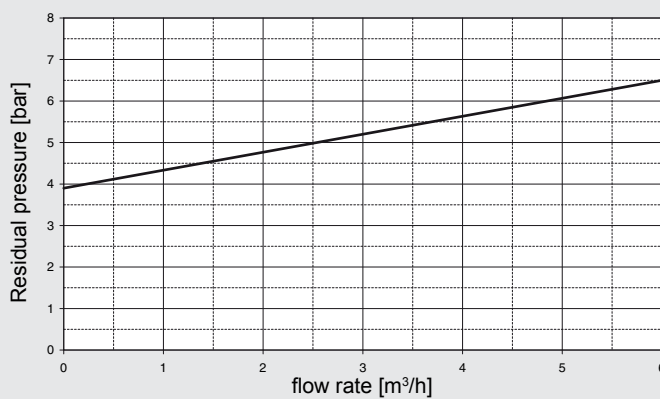


1: 1/4" pneumatic connection

Control pressure graphs

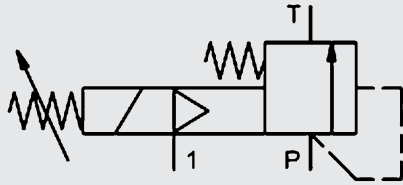
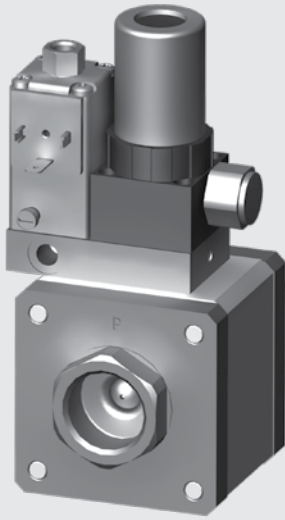


Pressure drop against flow



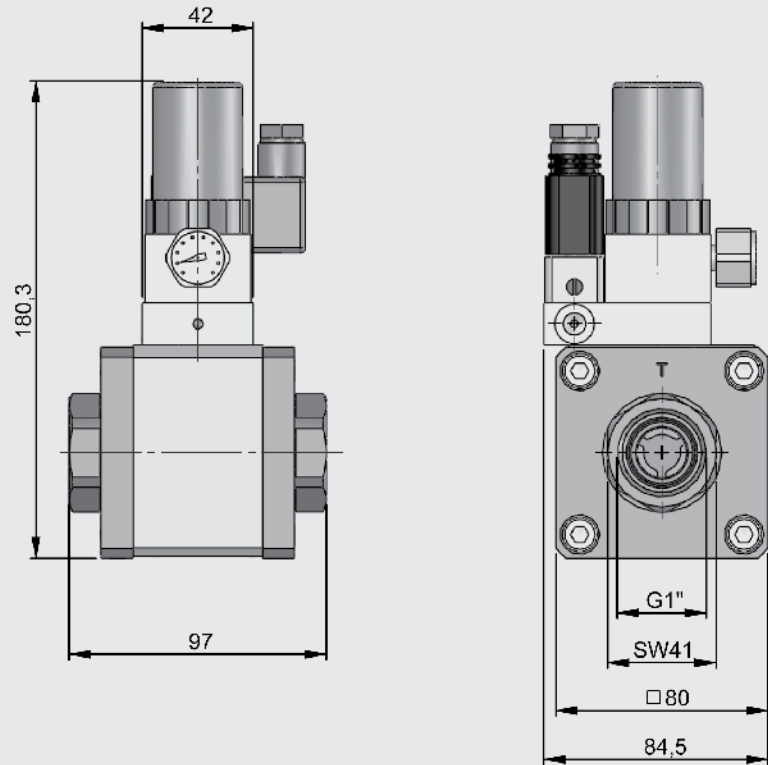
Noise level approx. 70dBA
(measured at a residual pressure of 6.5 bar and a flow rate of 6m³/h)

CX CBV-P

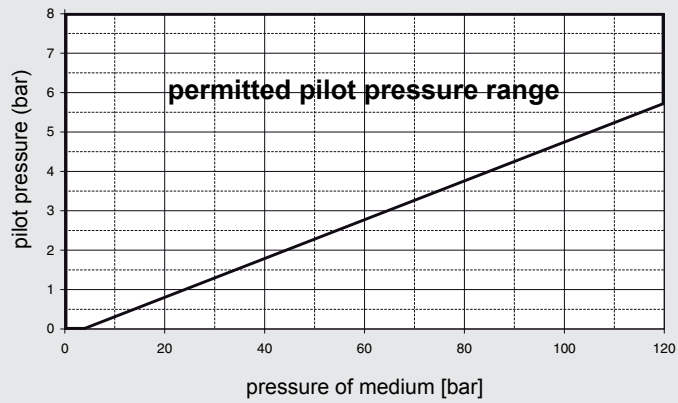


Switching function

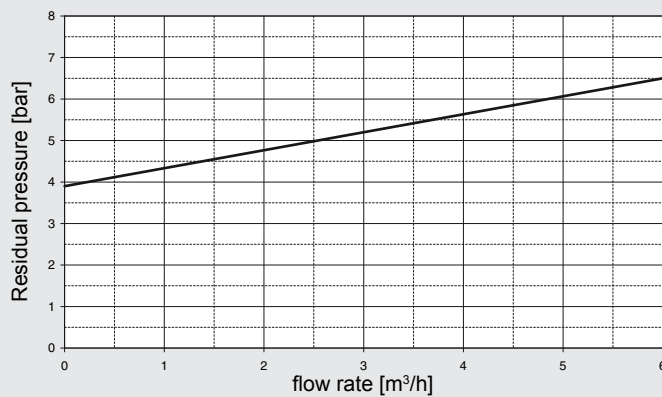
Dimensions



Control pressure graphs

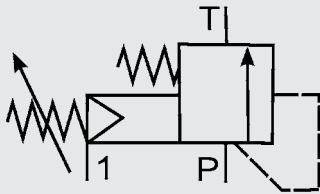
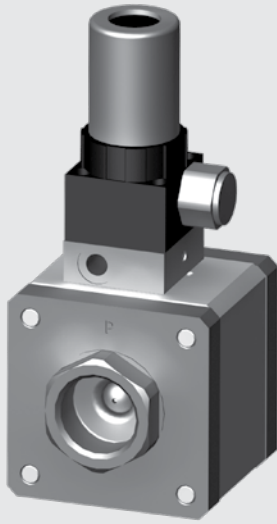


Pressure drop against flow



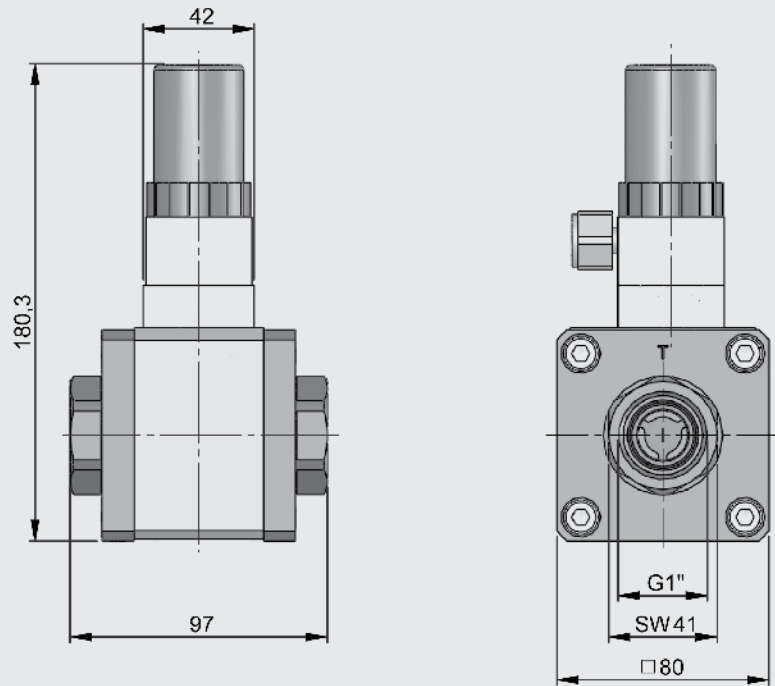
Noise level approx. 70dBA
(measured at a residual pressure of 6.5 bar and a flow rate of 6m³/h)

CX CBV-H

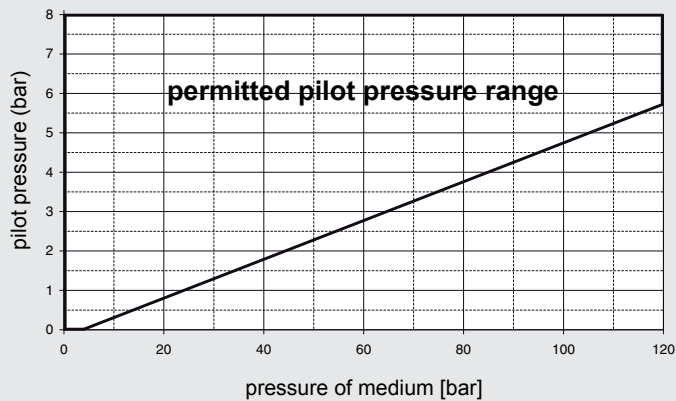


Switching function

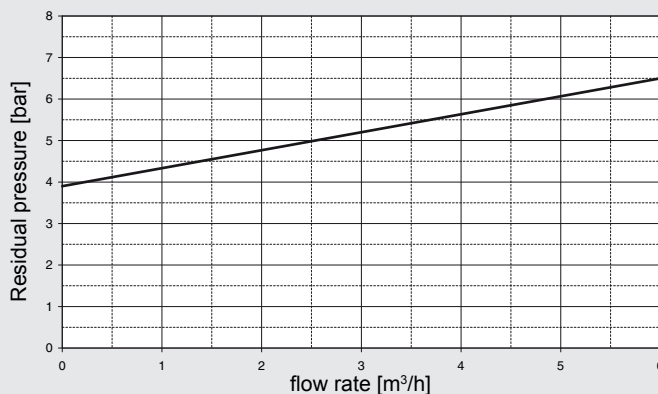
Dimensions



Control pressure graphs



Pressure drop against flow



Noise level approx. 70dBA
(measured at a residual pressure of 6.5 bar and a flow rate of 6m³/h)

NOTE

The information in this brochure relates to the operating conditions and applications described.

For applications and operating conditions not described, please contact the relevant technical department.

Subject to technical modifications.

HYDAC Accessories GmbH
Hirschbachstr. 2
66280 Sulzbach/Saar
Tel.: +49 (0)6897 - 509-01
Fax: +49 (0)6897 - 509-1009
Internet: www.hydac.com
E-Mail: info@hydac.com

