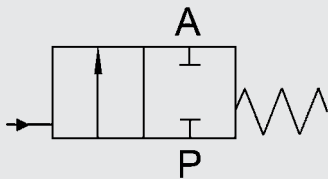


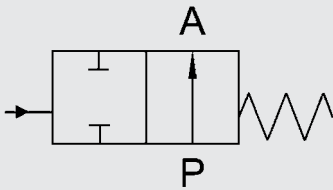
## 2/2-way Piston Valves

CXK01 and CXK02

### Switching function



NC (normally closed)



NO (normally open)

### Model code

(also example order)

**CXK01 2/2 F C 3 15 025 012 PP**

#### Type

CXK01 = Closes with the flow  
 CXK02 = Closes against the flow

#### Ways

2/2 = The number of ways

#### Control

F = External pilot

#### Switching function

C = NC - closed when de-energised  
 O = NO - open when de-energised

#### Body material

3 = Red bronze  
 6 = Stainless steel

#### Nominal size

15 = DN 15  
 20 = DN 20  
 25 = DN 25  
 32 = DN 32  
 40 = DN 40  
 50 = DN 50

#### Pressure range (see table)

003 = 0 to 3 bar  
 ∴ ∴  
 025 = 0 to 25 bar

#### Connection

012 = G $\frac{1}{2}$  - DN 15  
 034 = G $\frac{3}{4}$  - DN 20  
 100 = G1 - DN 25  
 114 = G1 $\frac{1}{4}$  - DN 32  
 112 = G1 $\frac{1}{2}$  - DN 40  
 200 = G2 - DN 50

#### Sealing Spindle / Seat

Red bronze  
 PP = PTFE / PTFE  
Stainless steel  
 PF = PTFE / FKM

### Order data

- Nominal size
- Connection
- Function NC/NO
- Operating pressure
- Flow rate
- Medium
- Medium temperature
- Ambient temperature

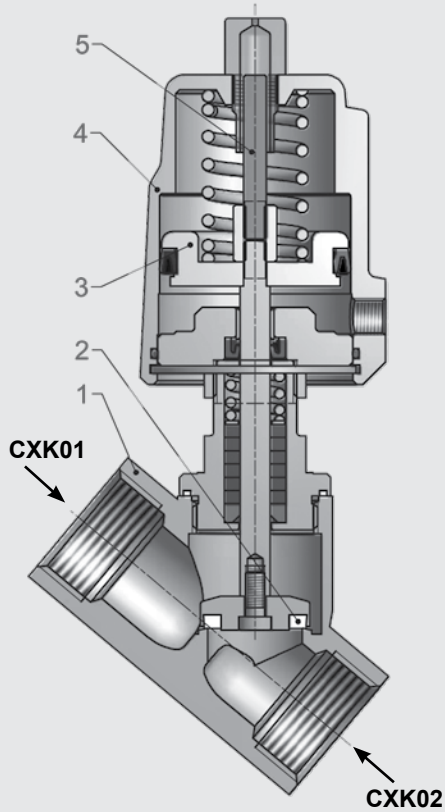
## Technical specifications

Nominal size:	DN15 to DN50	
Pressure range:	PN0 to PN25 (see table)	
Body material:	Red bronze, stainless steel	
Seal material:	Red bronze	Seat seals: PTFE Spindle seal: PTFE, optional NBR
	Stainless steel	Seat seals: FKM optional PTFE Spindle seal: PTFE, optional NBR
Flow rate	0 – approx. 792 l/min	
Medium temperature	-10 °C to +80 °C for NBR -40 °C to +200 °C for PTFE	
Ambient temperature	Max. +60 °C	
Connection	G½ - G2	
Operating fluid	Media	Aggressive, neutral, gaseous and liquid media, which do not have a negative effect on the physical and chemical properties of the material of the housing or sealing material concerned
	Max. permitted pressure	See table
	Max. permissible viscosity	600 m <sup>2</sup> /s
Control medium	Medium	Neutral gases
	Volume	Drive size 50 mm 0.035 dm <sup>3</sup>
		Drive size 80 mm 0.131 dm <sup>3</sup>
Control pressure	4 to 10 bar	
Pilot valve	Optional 3/2-way pilot valve, possible with M12x1 plug	
Mounting position	In any position	

Designation	Nom. dia. mm	Pressure		Connection	Kv value m <sup>3</sup> /h DIN 60354	Material
		bar – Ø 50	bar – Ø 80*			
CXX01	15	0 – 16	–	G½	4.6	Red bronze
	20	0 – 16	0 – 16	G¾	9.4	
	25	0 – 16	0 – 16	G1	17.4	
	32	0 – 10	0 – 16	G1¼	21.5	
	40	0 – 8	0 – 16	G1½	26.4	
	50	0 – 4	0 – 16	G2	47.5	
CXX01	15	0 – 25	–	G½	4.6	Stainless steel
	20	0 – 20	–	G¾	9.4	
	25	0 – 16	0 – 25	G1	17.4	
	32	0 – 9	0 – 25	G1¼	21.5	
	40	0 – 7	0 – 20	G1½	26.4	
	50	0 – 4	0 – 12	G2	47.5	
CXX02	15	0 – 16	–	G½	4.6	Red bronze
	20	0 – 16	–	G¾	9.4	
	25	0 – 10	0 – 16	G1	17.4	
	32	0 – 7	0 – 12	G1¼	21.5	
	40	0 – 6	0 – 8	G1½	26.4	
	50	0 – 4	0 – 5	G2	47.5	
CXX02	15	0 – 16	–	G½	4.6	Stainless steel
	20	0 – 20	0 – 25	G¾	9.4	
	25	0 – 10	0 – 16	G1	17.4	
	32	0 – 7	0 – 10	G1¼	21.5	
	40	0 – 6	0 – 8	G1½	26.4	
	50	0 – 3	0 – 5	G2	47.5	

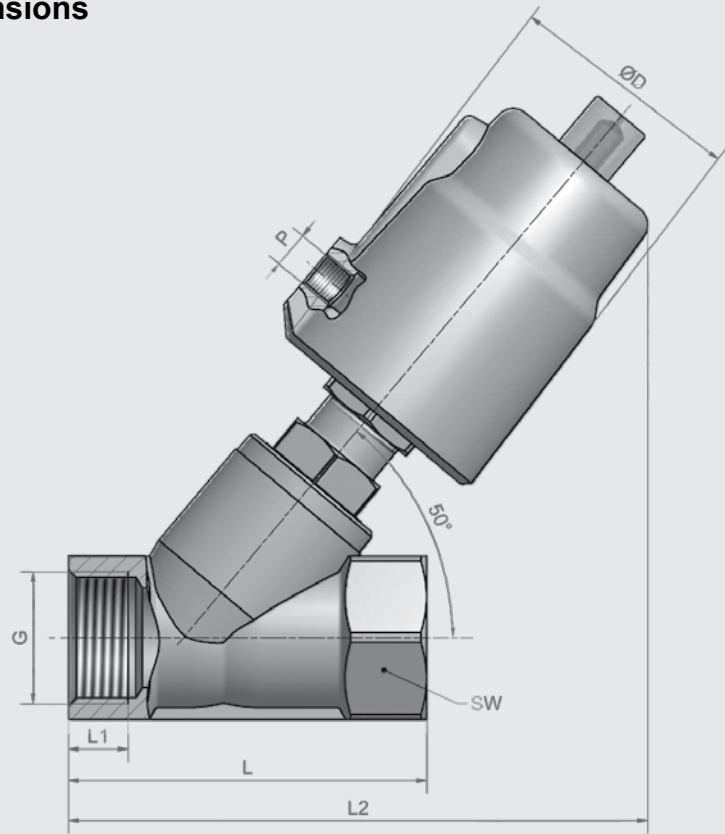
\*Actuator Ø 80 as option

## Sectional drawing NC



Item	Designation	Quantity
1	Valve body	1
2	Seals	1
3	Piston	1
4	End cap	1
5	Spindle	1

## Dimensions

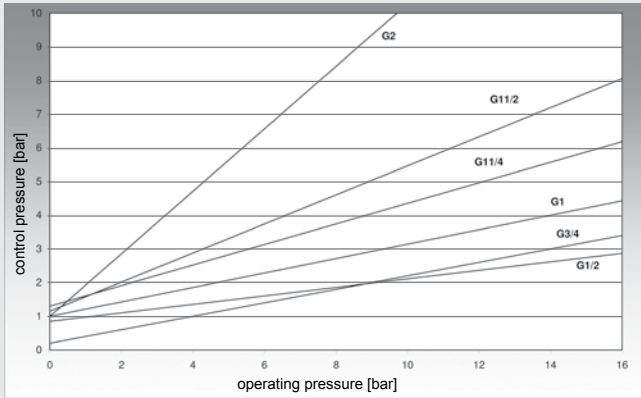


	Actuator Ø 50							Actuator Ø 80		
	G	1/2	3/4	1	1 1/4	1 1/2	2	1 1/4	1 1/2	2
<b>Red bronze</b>	ØD	62	62	62	62	62	62	94	94	94
	P	G 1/8	G 1/8	G 1/8	G 1/8	G 1/8	G 1/8	G 1/8	G 1/8	G 1/8
	L	57	68	80	97	107	124	97	107	124
	L1	8	9	10.5	12.5	14.5	16.5	12.5	14.5	16.5
	L2	135	140	145	150	155	160	195	205	215
	SW	27	33	41	50	56	68	50	56	68
	kg	1.2	1.3	1.5	1.8	2.4	3.5	3.0	3.4	4.5

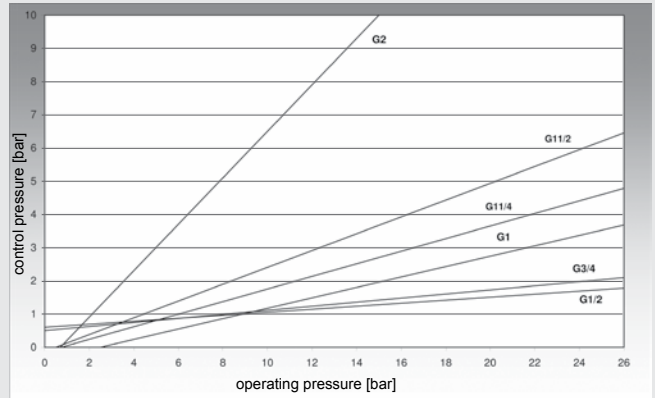
	Actuator Ø 50							Actuator Ø 80		
	G	1/2	3/4	1	1 1/4	1 1/2	2	1 1/4	1 1/2	2
<b>Stainless steel</b>	ØD	62	62	62	62	62	62	94	94	94
	P	G 1/8	G 1/8	G 1/8	G 1/8	G 1/8	G 1/8	G 1/8	G 1/8	G 1/8
	L	65	75	90	110	120	150	110	120	150
	L1	12	13	15	17	19	21	17	19	21
	L2	140	145	150	155	160	175	200	210	230
	SW	27	32	42	50	55	70	50	55	70
	kg	1.3	1.4	1.6	2.2	2.5	3.5	3.2	3.4	4.6

# Operating pressure / control pressure graph

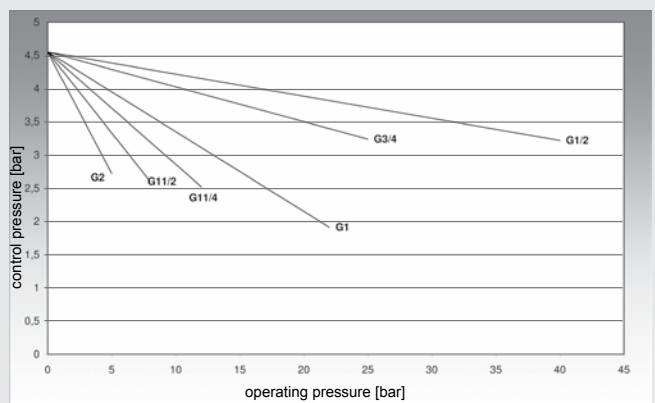
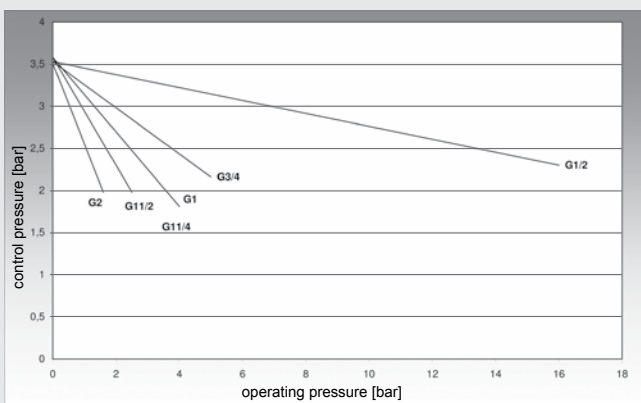
Actuator Ø 50 mm



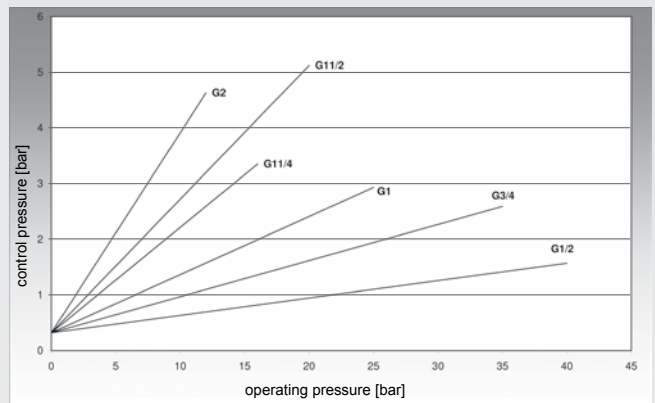
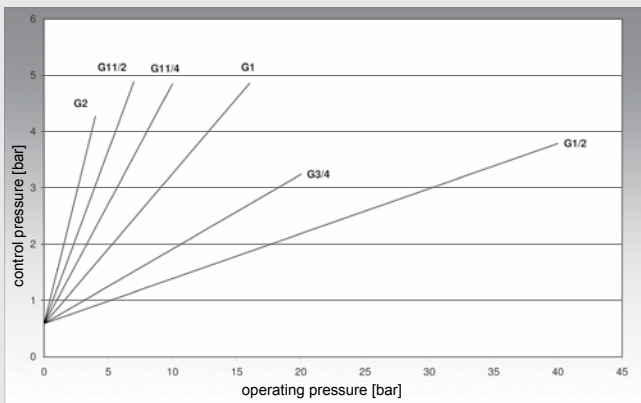
Actuator Ø 80 mm



CXK01 NC closes with the flow, normally closed

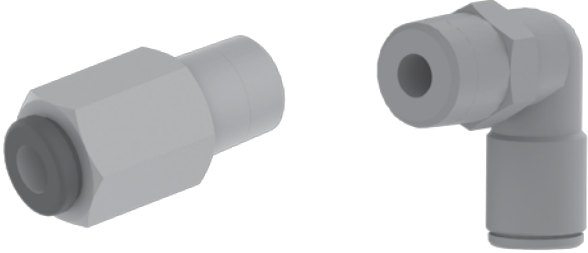
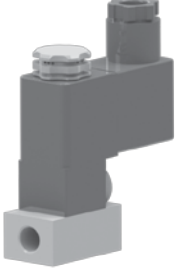


CXK02 NC closes with the flow, normally closed



CXK02 NO closes against the flow, normally open

## Accessories

<b>Threaded connections</b>	
<b>3/2-way pilot valve</b>	

On request we would be happy to discuss your requirements for further options and accessories.

### NOTE

The information in this brochure relates to the operating conditions and applications described.

For applications and operating conditions not described, please contact the relevant technical department.

Subject to technical modifications.

### HYDAC Accessories GmbH

Hirschbachstr. 2

**66280 Sulzbach/Saar**

Tel.: +49 (0)6897 - 509-01

Fax: +49 (0)6897 - 509-1009

Internet: [www.hydac.com](http://www.hydac.com)

E-Mail: [info@hydac.com](mailto:info@hydac.com)

